

Date

June, 28 2021

Released

- Specification -

Ku-band 6W BUC

Model No. NJT8376 series

RF Frequency	Local Frequency	IF Frequency
13.75 to 14.5 GHz	12.8 GHz	950 to 1,700 MHz
14 to 14.5 GHz	13.05 GHz	950 to 1,450 MHz

Output Power @ 1dB G.C.P.: +37.8 dBm (6W)

IF Input Interface: N-type / F-type, Female Connector

DC Power / Ref. (10MHz) Input: IF Connector

RF Output Interface: Waveguide, WR-75

DC Power Voltage Range: +12 to +30 V

Copyright ©

New Japan Radio Co., Ltd.

Microwave Division

-Notice of Proprietary Information-

This document and contents are proprietary to New Japan Radio Co., Ltd.

This publication and contents may not be reproduced or distributed for any other purpose
without the written permission of New Japan Radio Co., Ltd.

Specifications listed in this document are subject to change at any time, without notice.

New Japan Radio Co., Ltd.
Microwave Division

Title:

Datasheet of NJT8376 series

Reference No.:

DS-T8376

Rev.:

01E

Sheet:

1 / 20



Caution

1. While New Japan Radio., Ltd.(NJR) continually strives to improve the quality and reliability of any products, failures would occur in microwave products over time. For this reason, it is important that customers fulfill their responsibilities to ensure designed-in safety – including failsafe functions, redundancy, and measures to prevent malfunctions and the spread of fire – in order to avoid injuries, accidents, or social repercussions resulting from the failure of any product related to satellite communications on this document (hereinafter, “the product”). Customers must pay careful attention to ensuring the safety of their equipment.
2. The product is designed and tested to function in accordance with its specifications. Do not use under conditions that deviate from the product specifications included in the specifications. NJR assumes no responsibility and shall not be liable for any injuries, accidents, or social repercussions resulting from the product being in a poor or damaged state because it was used under conditions that depart from the specifications.
3. The product is covered by a warranty for one year following delivery unless otherwise stipulated in the contract or delivery conditions. In the event of a failure for which NJR are responsible occurring during the warranty period, NJR undertake to repair or replace the product free of charge. Note, however, that the warranty does not cover failures such as those listed here (see bullets below), even if they occur within the warranty period. In addition, in the case of a product being repaired or replaced by us, the starting date for the warranty period is still the original delivery date of the product.
 - Failure due to the product being used in conditions other than those stipulated in the data sheet, specification sheet, etc.
 - Failure due to modifications or repairs carried out by some entity other than our company
 - Failure determined to be the result of unsuitable maintenance or replacement of a consumable item that requires due maintenance
 - Failure due to circumstances that were unforeseeable given the scientific/technological standards at the time of shipment
 - Other failures due to external factors such as fire, earthquake, flood and power supply anomalies for which NJR are not responsible

In addition, the product warranty is limited to the provision of repair services or replacement at no cost. It does not cover secondary damage (to equipment, business opportunities, profits, etc.) or any other damage that may have resulted from failure of the product.
4. The product must be handled appropriately to ensure its continued reliability. Since it can be damaged by the intrusion of water, dust, oil, chemicals, etc., it must be given appropriate protection. Even in the case of a product with an airtight construction, avoid using it in an environment that exceeds the stated levels of waterproofing/dustproofing. Also, be sure to use connectors and waveguides properly.

If replacement parts such as fans are included, proper maintenance is necessary. To maintain product performance and functionality, it is necessary to conduct inspections and maintenance at appropriate intervals and exchange replacement parts when necessary. Improper inspections or maintenance may result in failure.

In addition, the warranty does not cover the use of the product in areas where salt damage can be expected or where there is a substantial presence of corrosive gases such as Cl₂, H₂S, SO₂, and NO₂. If the product is to be used in such areas, at the time of installation you must take appropriate steps to protect the product.
5. If the product is to be used with equipment/systems that must meet special quality and reliability standards (aerospace equipment, medical equipment, power generation control equipment, automotive/railway transportation equipment, safety equipment, disaster prevention and security equipment, etc.), please consult with our sales staff in advance.
6. This product contains gallium arsenide (GaAs), classified as a harmful substance. To avoid danger, do not incinerate, crush, or chemically treat the product in such a way that gases or dust are released. When disposing of the product, comply with all applicable laws and regulations and do not treat it as general industrial waste or household waste.
7. When exporting a product or technology, observe export laws and regulations such as those governing foreign exchange and foreign trade, and obtain any necessary licenses for export, service transactions, etc. NJR request that you do not use our products or the technical data published on this document for developing weapons of mass destruction or for any other military purposes or applications.
8. The product specifications in this document are subject to change without notice. If you are considering using a product, delivery specifications must first be settled.

*Above specifications are subject to change without notice.

Scope

This BUC is designed for the block up-converter intended for the satellite communication data uplink application in Ku-band. It can transmit an RF signal (Ku-band: 14.0 to 14.5 GHz or 13.75 to 14.5 GHz) output with up to 6W (+37.8 dBm) linear as output power @ 1 dB G.C.P. (P1dB). It is combined a GaAs high power amplifier and a block up-converter with a phase locked local oscillator (13.05 GHz or 12.8 GHz) which is synchronized with external 10MHz reference.

The BUC receives a reference signal (10 MHz) and an IF signal (L-band: 950 to 1,450 MHz or 950 to 1,700 MHz) input and transmits an RF signal (Ku-band: 14.0 to 14.5 GHz or 13.75 to 14.5 GHz) output. It is operated by +24 V DC power (Range: +12 to +30 V) input.

The BUC comes in a single, weatherized housing rated for outdoor use and has either an N-Type or F-type female connector as IF input, a WR-75 waveguide flange as RF output.

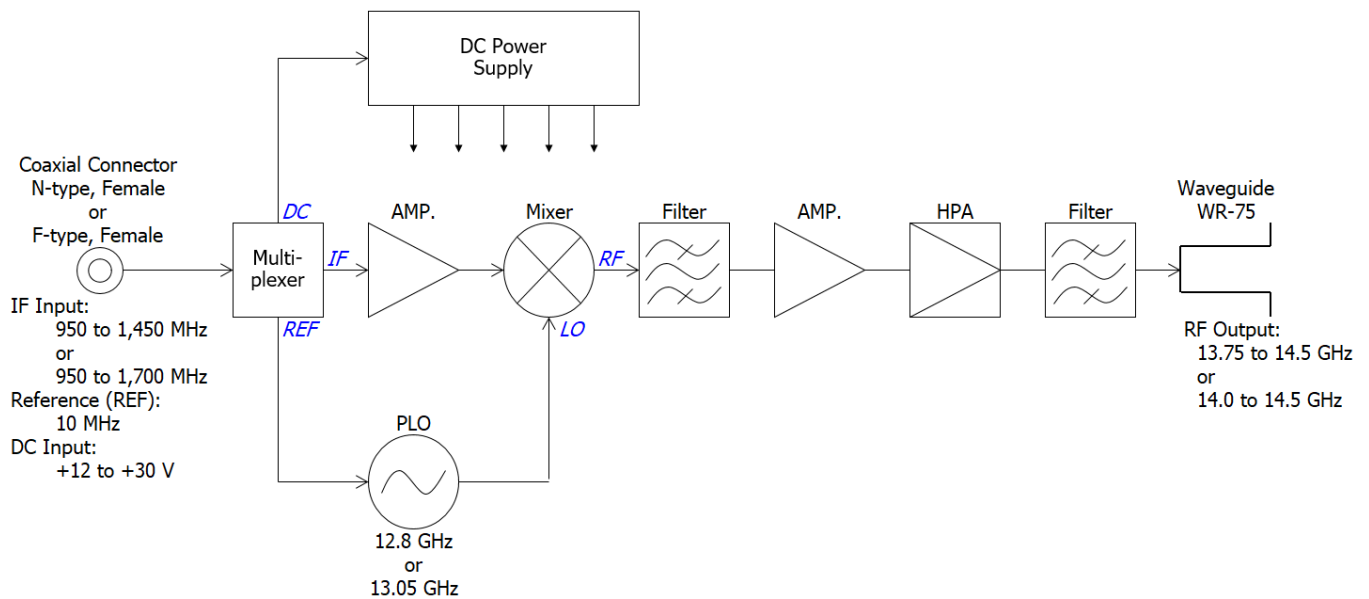


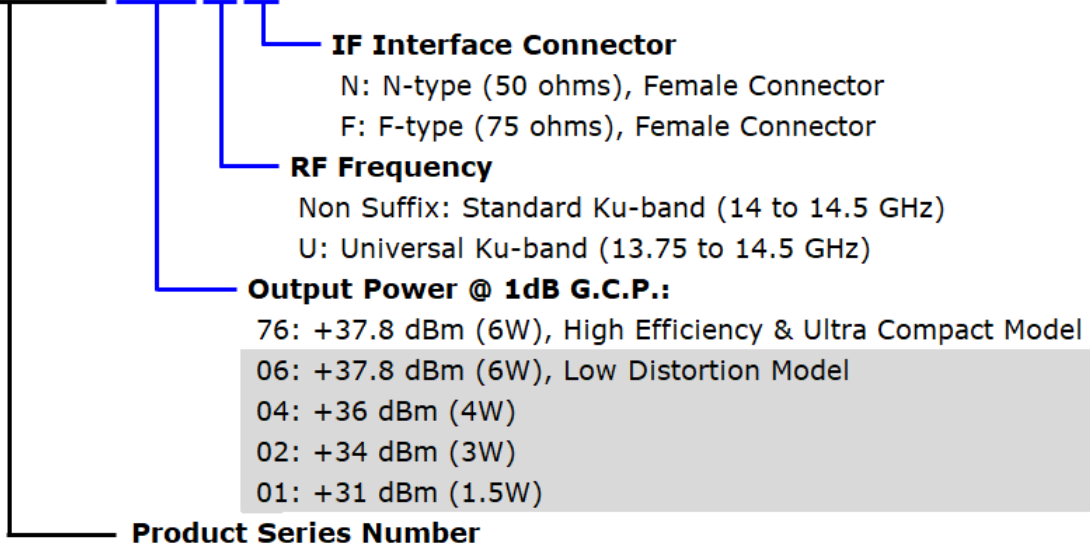
Fig.1 Functional Block Diagram

* Above specifications are subject to change without notice.

Series Model Number

- Numbering System

N J T 8 3 7 6 U N



- Line-up

Model No.	RF Frequency	Local Frequency	IF Frequency	Output Power @ P1dB	IF Connector
NJT8376N	14.0 to 14.5GHz (Standard Ku-band)	13.05 GHz	950 to 1,450 MHz	6W Linear (+37.8 dBm min.)	N-type
NJT8376F					F-type
NJT8376UN	13.75 to 14.5GHz (Universal Ku-band)	12.80 GHz	950 to 1,700 MHz		N-type
NJT8376UF					F-type

* Above specifications are subject to change without notice.

1. Electrical Specifications

#	Items	Specifications
1.1.	Output RF Frequency Range	
	<Universal Ku-band>	13.75 to 14.5 GHz
	<Standard Ku-band>	14 to 14.5 GHz
1.2.	Input IF Frequency Range	
	<Universal Ku-band>	950 to 1,700 MHz
	<Standard Ku-band>	950 to 1,450 MHz
1.3.	Maximum IF Input Level (without damage)	+13 dBm max.
1.4.	Conversion Type	Single, fixed L.O.
1.5.	L.O. Frequency	
	<Universal Ku-band>	12.8 GHz
	<Standard Ku-band>	13.05 GHz
1.6.	Frequency Sense	Positive
1.7.	Output Power @ 1dB G.C.P. (P1dB)	+37.8 dBm min. over temperature
1.8.	Linear Gain	62 dB nom., 56 dB min.
1.9.	Gain Variation over frequency @ fixed temperature	
	<Universal Ku-band>	5 dBp-p max. over 750 MHz 2 dBp-p max. over any 54 MHz
	<Standard Ku-band>	5 dBp-p max. over 500 MHz 2 dBp-p max. over any 54 MHz
1.10.	Gain Stability over temperature @ fixed frequency	5 dBp-p max. 2 dBp-p typ.
1.11.	ACPR	-26 dBc typ. @ Pout = +37 dBm
1.12.	Requirement for External Reference	
	[Frequency]	10 MHz (sine-wave)
	[Input Power]	-5 to +5 dBm @ Input port
	[Phase Noise]	-120 dBc/Hz max. @ 100 Hz -130 dBc/Hz max. @ 1 kHz -140 dBc/Hz max. @ 10 kHz
1.13.	L.O. Phase Noise	-60 dBc/Hz max. @ 100 Hz
		-70 dBc/Hz max. @ 1 kHz
		-80 dBc/Hz max. @ 10 kHz
		-90 dBc/Hz max. @ 100 kHz
		-100 dBc/Hz max. @ 1MHz

* Above specifications are subject to change without notice.

#	Items	Specifications
1.14.	Spurious @ Pout = +37.8 dBm <div style="text-align: right;">[In-band]</div> <div style="text-align: right;">[Receive band]</div> <div style="text-align: right;">[Out-of-band]</div>	-50 dBc max. @ RF Frequency -70 dBm max. @ 10.95 to 12.75 GHz -50 dBc max.
1.15.	Receive Band Noise Density <div style="text-align: center;"><Universal Ku-band></div> <hr/> <div style="text-align: center;"><Standard Ku-band></div>	* In case of RF Freq.:14 to 14.5 GHz -156 dBm/Hz max. @10.95 to 12.75 GHz * In case of RF Freq.:13.75 to 14 GHz -156 dBm/Hz max. @10.95 to 12.25 GHz -142 dBm/Hz max. @12.25 to 12.75 GHz <hr/> * In case of RF Freq.:14 to 14.5GHz -156 dBm/Hz max. @ 10.95 to 12.75 GHz
1.16.	Noise Figure	18 dB nom., 23 dB max.
1.17.	Input Impedance <div style="text-align: center;"><N-type Model></div> <div style="text-align: center;"><F-type Model></div>	50 ohms nom 75 ohms nom.
1.18.	Input V.S.W.R.	2 : 1 max.
1.19.	Output V.S.W.R.	2 : 1 typ.
1.20.	Output Load V.S.W.R. <div style="text-align: right;">[Recommendation]</div> <div style="text-align: right;">[Non Damage]</div>	1.3 : 1 max. 3.0 : 1 max.
1.21.	DC Power Requirement <div style="text-align: right;">[Voltage Range]</div> <div style="text-align: right;">[Power Consumption]</div>	+24 VDC (+12 to +30 VDC) 34 W typ., 38 W max. @ Pout = +37.8 dBm 21 W max. @ No IF, +25 °C 2 W max. @ 10 MHz reference off (Mute on)
1.22.	Mute	Shut off the HPA in case of L.O. unlocked or no 10 MHz reference signal.

* Above specifications are subject to change without notice.

2. Mechanical Specifications

#	Items	Specifications
2.1.	Input Interface	IF / Ref. / DC Power Input:
	<N-type Model>	N-type female connector, 50 ohms
	<F-type Model>	F-type female connector, 75 ohms
2.2.	Output Interface	Waveguide, WR-75 (with Grooved)
2.3.	Dimension & Housing	98 (L) × 128 (W) × 42.5 (H) mm [3.86" (L) × 5.04" (W) × 1.67" (H)] without interface connectors and screws
2.4.	Weight	540 g [1.19 lbs]

3. Environmental Specifications

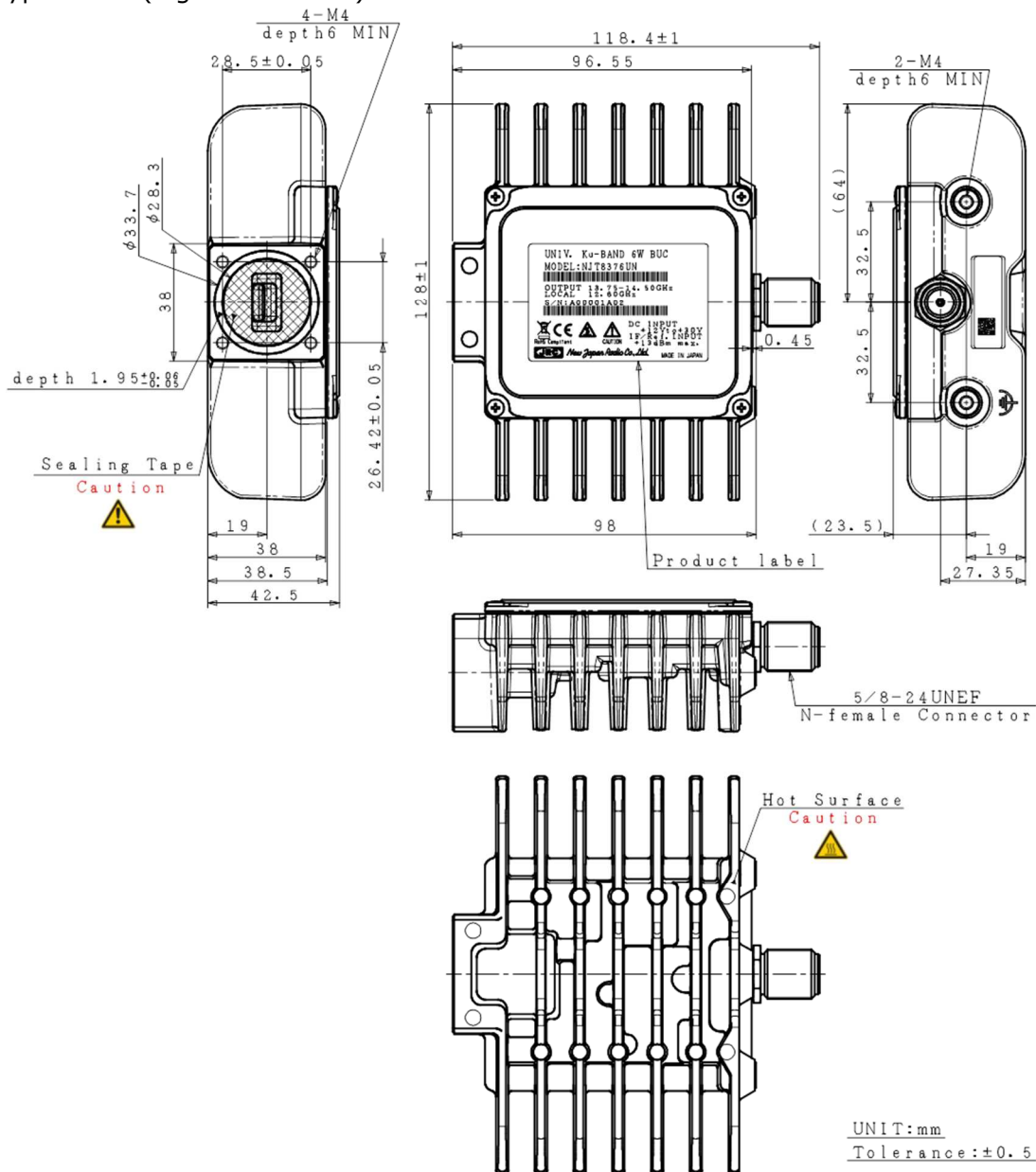
#	Items	Specifications
3.1.	Temperature Range (ambient)	
	[Operating] [Storage]	-40 to +60 °C *1 -40 to +75 °C
3.2.	Humidity	0 to 100 % RH
3.3.	Altitude	15,000 feet (4,572 m)
3.4.	Vibration (Survival)	5 G [49.03 m/s ²] (3 axis, 50 Hz to 2 kHz) 1 mm p-p (3 axis, 5 to 50 Hz)
3.5.	Shock (Survival)	30 G [294.20 m/s ²] (3 axis)
3.6.	Waterproof / Dustproof (IP Code Rating)	IP 67
3.7.	Regulations	EU Directive (CE Marking) RE - 2014/53/EU EMC - 2014/30/EU RoHS - 2011/65/EU + (EU)2015/863 Safety: EN62368-1, EN60950-22
3.8.	MTBF (by Method of Parts Count Reliability Prediction)	150,000 hours and more at +35 °C as Design Condition

*1: Conditioned on connection with waveguide.

* Above specifications are subject to change without notice.

4. Outline Drawing

4.1. N-type Model (e.g. NJT8376UN)

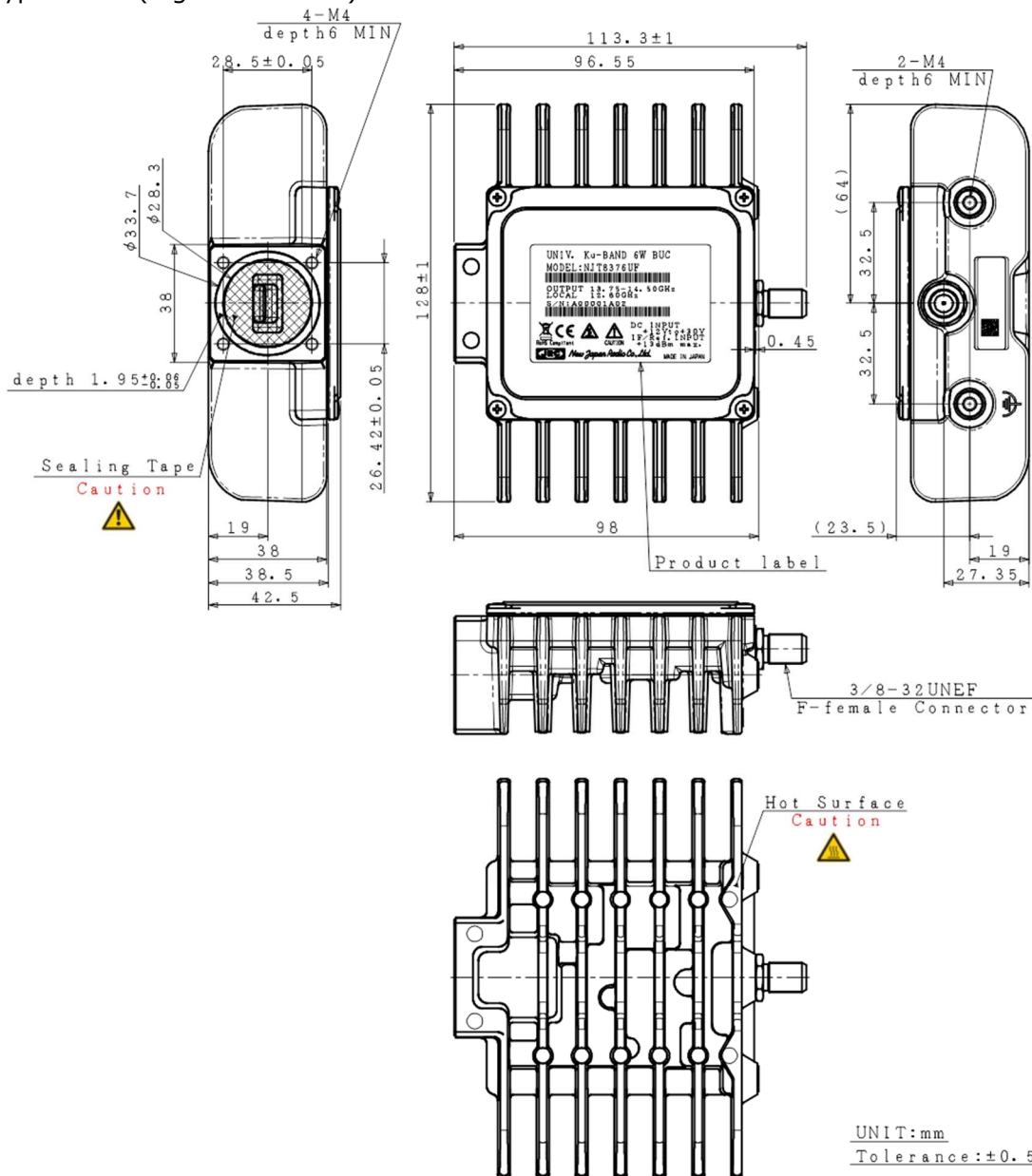


CAUTION

Items	Description
Sealing Tape	<u>Do not</u> remove the sealing tape on the waveguide. If the sealing tape is removed, it will lose the performance of waterproof and also it will become out-of-warranty.
Hot Surface	Whole of body and heat sink is hot when this unit is powered, and even after power is disconnected until it is cooled down. <u>Do not</u> touch hot surface to avoid a burn hazard.
RF Radiation	A radiation hazard exists if this unit is operated with its RF signal output unterminated. <u>Do not</u> operate this unit without a load or termination attached to the RF signal output.

* Above specifications are subject to change without notice.

4.2. F-type Model (e.g. NJT8376UF)



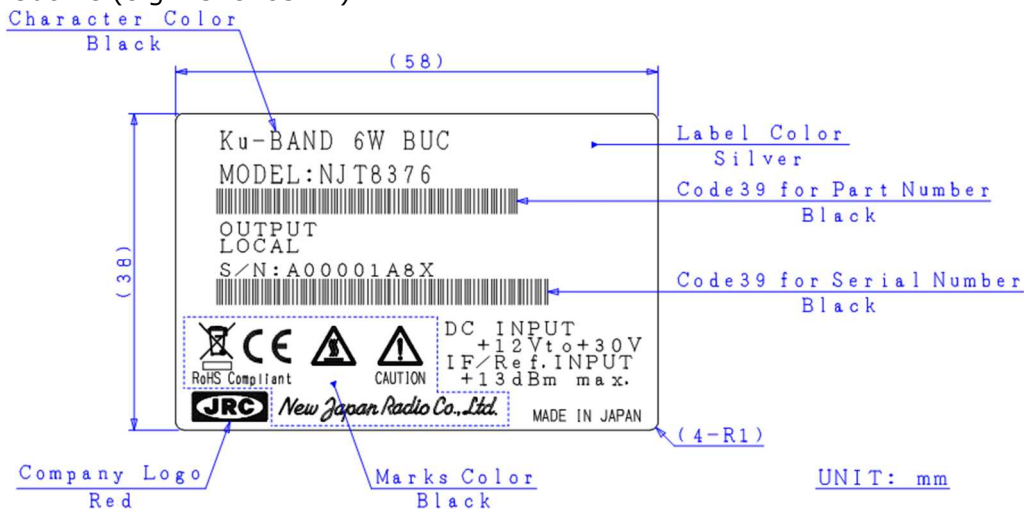
CAUTION

Items	Description
Sealing Tape	<u>Do not</u> remove the sealing tape on the waveguide. If the sealing tape is removed, it will lose the performance of waterproof and also it will become out-of-warranty.
Hot Surface	Whole of body and heat sink is hot when this unit is powered, and even after power is disconnected until it is cooled down. <u>Do not</u> touch hot surface to avoid a burn hazard.
RF Radiation	A radiation hazard exists if this unit is operated with its RF signal output unterminated. <u>Do not</u> operate this unit without a load or termination attached to the RF signal output.

* Above specifications are subject to change without notice.

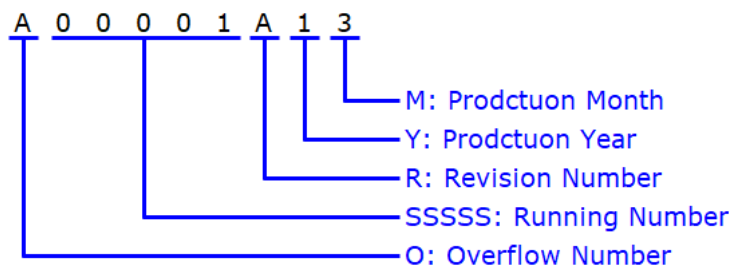
5. Label

5.1. Label Outline (e.g. NJT8105WF)



5.2. Definitions

Serial Number (OSSSSRYM) - ALPHANUMERIC (9 characters)



O: Overflow Number - ALPHABET (1 character)

"A" to "T" except "I" and "O", e.g.: A99999 ⇒ B00001

"V" to "Z": Specified Numbers

SSSSS: Running Number - NUMBER (5 digits)

"00001" to "99999"

R: Revision Number - ALPHABET (1 character)

"A" to "T" except "I", "O", and "U"

Y: Production Year - NUMBER (1 digit)

"0" to "9", Last Digit of Calendar Number

e.g.: 2021:"1", 2022:"2", 2023:"3".....

M: Production Month - ALPHANUMERIC (9 characters)

"1" to "9", "X" as October, "Y" as November, "Z" as December

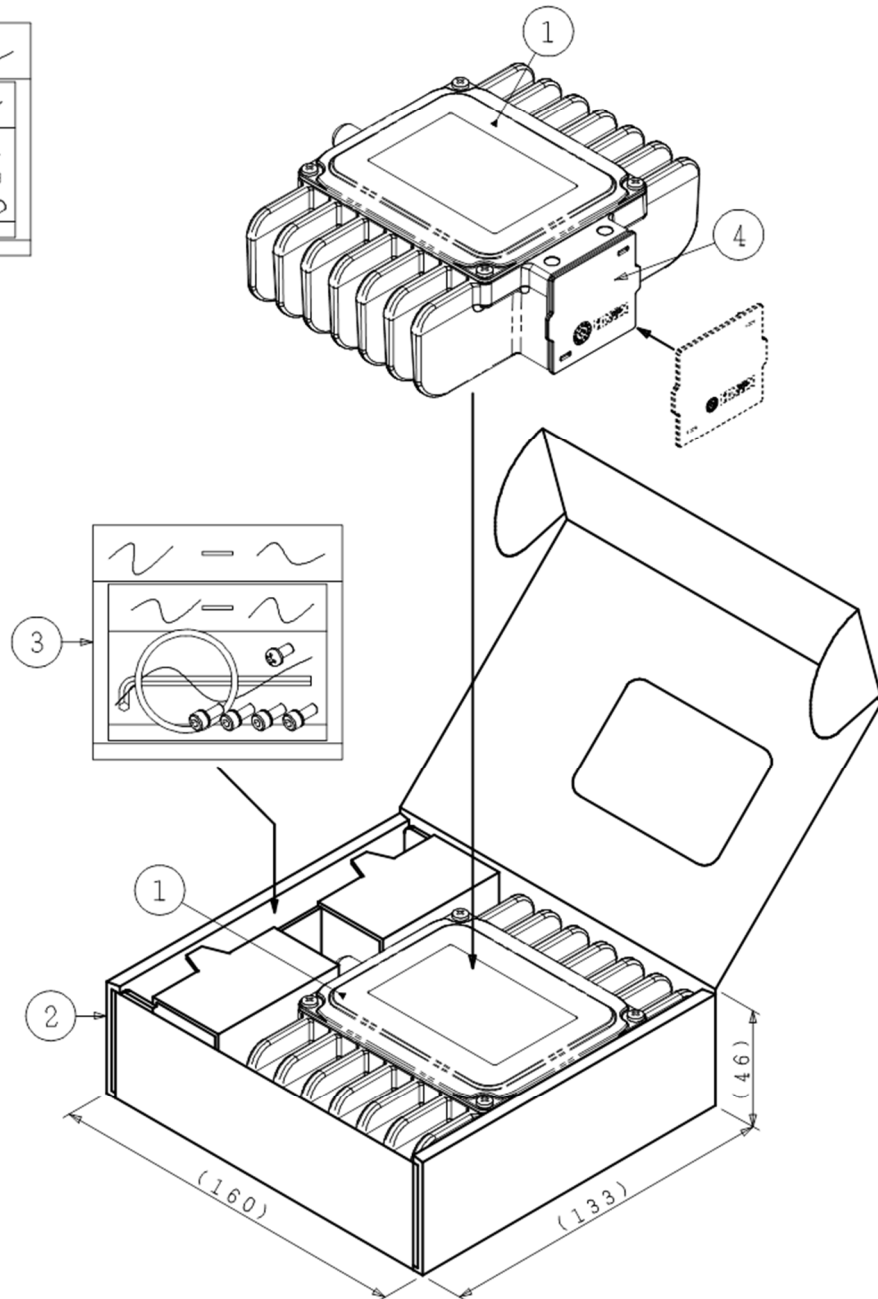
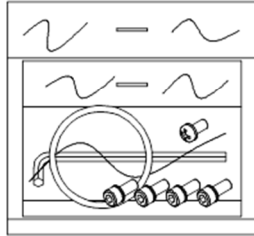
* Above specifications are subject to change without notice.

6. Package

6.1. Individual Package

Accessories

- O-ring
- Cross Recessed Head Screws
M4×6 1 piece(SUS, SW) for Ground Hole
- Hexagon Socket Head Bolts
M4×10 4 Pieces(SUS, SW and W) for Waveguide Flange Holes
- Hexagon Wrench Keys(M4Type)

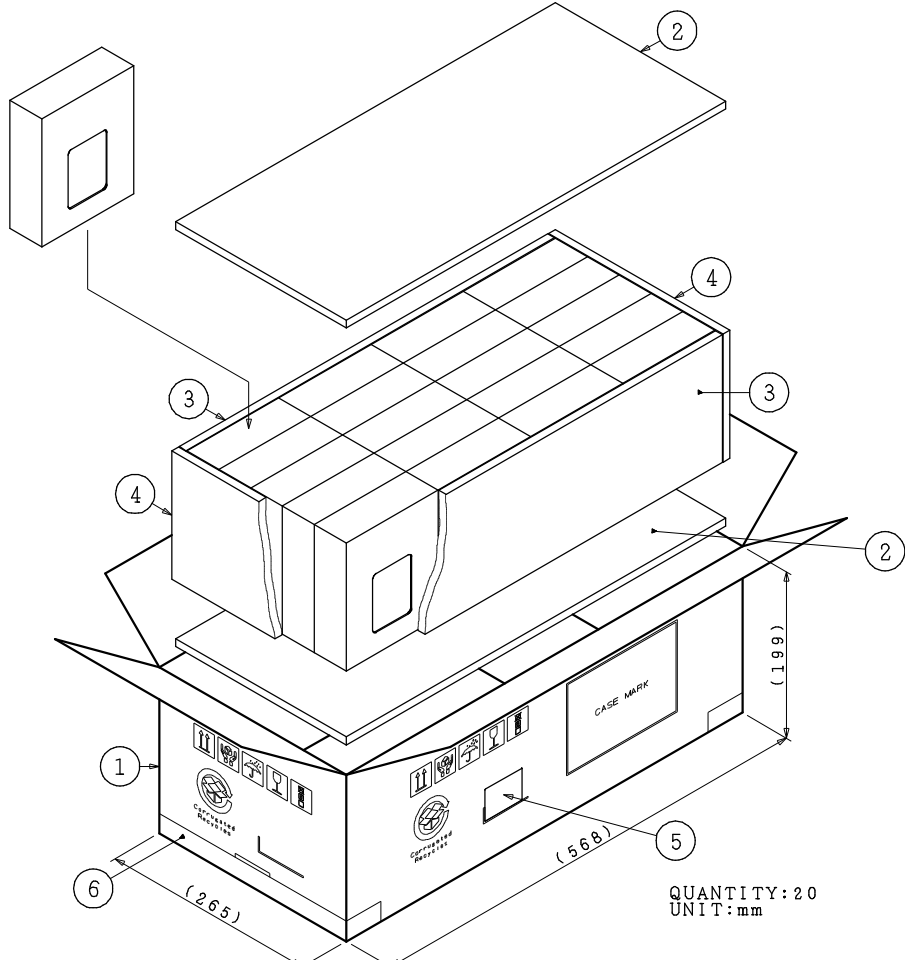


- ①: BUC
- ②: Single Wall Corrugated Fiberboard
- ③: Accessories
- ④: Polypropylene Flange Cover

UNIT:mm

*Above specifications are subject to change without notice.

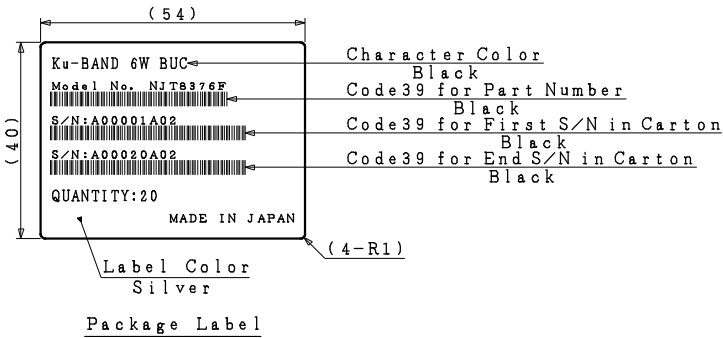
6.2. Shipping Package



- ①: Double Wall Corrugated Fiberboard
- ②: Polyethylene Foam For Package Cushioning
- ③: Polyethylene Foam For Package Cushioning
- ④: Polyethylene Foam For Package Cushioning
- ⑤: Package Label
- ⑥: Carton Tape

Pictorial Marking for Handling of Goods

	THIS WAY UP		HANDLE WITH CARE		KEEP DRY
	FRAGILE		LAYERS LIMIT: 6		



* Above specifications are subject to change without notice.

6.3. Enclosed Accessories

- O-ring Gasket, Qty (1), Full-type, for Waveguide Flange
- Wrench Key, Qty (1), M4, Hexagon
- Bolts, Qty (4), M4 x 10, Hexagon socket head with spring washer and flat washer, SUS, for waveguide flange
- Screw, Qty (1), M4 x 6, Phillips head with spring washer, SUS, for ground hole

* Above specifications are subject to change without notice.

7. Handling Precautions

7.1. DANGER



This statement indicates an imminently hazardous situation which, if not avoided, will result in death or serious injury.

Items	Description
Input Voltage	Only input a DC voltage within the range indicated in specifications. <u>Do</u> operate with the input voltage range between +12 and +30 V DC power. When applying higher voltage than specifications (+30 V as maximum voltage in DC power requirement), it will not only cause this unit failure, but it may also result in <u>electric shock</u> and <u>fire</u> .
Disassembling	<u>Do not</u> disassemble the unit. Disassembling will not only cause this unit failure, but it may also result in <u>electric shock</u> .

7.2. WARNING



This statement indicates a potentially hazardous situation which, if not avoided, could result in death or serious injury.

Items	Description
RF Radiation	A radiation hazard exists if this unit is operated with its RF signal output unterminated. <u>Do not</u> operate this unit without a load or termination attached to the RF signal output.
Hot Surface	Whole of body and heat sink is hot when this unit is powered, and even after power is disconnected until it is cooled down. <u>Do not</u> touch hot surface to avoid a burn hazard.

7.3. CAUTION



This statement indicates a potentially hazardous situation which, if not avoided, could result in minor or moderate injury. The statement may also be used to indicate other unsafe practices or risks of property damage.

Items	Description
Disposal	This unit contains gallium arsenide (GaAs), classified as a harmful substance. To avoid danger, <u>do not</u> incinerate, crush, or chemically treat the unit in such a way that gases or dust are released. When disposing the unit, comply with all applicable laws and regulations and do not treat it as general industrial waste or household waste.

* Above specifications are subject to change without notice.

7.4. NOTE

! N O T E

This statement is used to notify of installation, operation, or maintenance information that is important, but not hazard-related.

Items	Description
Mounting	<u>Do not</u> block fins of this unit to keep the heat dissipation performance. Normally the unit should be mounted with long fins face up.
Grounding	To reduce the risk of damage or broken by lightning surge, the unit should be grounded by connecting the ground wire.
Torque Management	<u>Do not</u> tighten with excessive torque when attaching screws/bolts and connectors. The following value as tighten torque is recommended. <ul style="list-style-type: none"> ■ Screws/Bolts - M4: 1.15 to 1.4 N·m ■ IF Connector (N-type / F-type): 0.68 to 1.13 N·m
Weatherproof	The unit mounted in outdoor should be conducted with adequately weatherproof procedure. Do seal all of cable connection points from the connector to the cable sheath by usage of self-amalgamating tape. Ensure the waveguide connection is properly assembled with the enclosed o-ring gasket as accessories. The o-ring gasket is full-type and it is assumed to connect the unit to a flat waveguide flange.
Waveguide Sealing Tape	<u>Do not</u> remove the sealing tape on the waveguide. If the sealing tape is removed, it will lose the performance of waterproof and also it will become out-of-warranty.
Input Voltage	<u>Do</u> operate with the input voltage range between +12 and +30 V DC power. Avoid applying more than the maximum voltage in this range (including ripple voltage) under any conditions.
Input IF Signal Power	<u>Do not</u> supply the input IF signal over the maximum level (+13 dBm), which is indicated on the product label.
Input 10MHz Signal Power	The 10 MHz reference signal should be supplied with the range between -5 and +5 dBm with sine-wave for correctly operation. <u>Do not</u> supply the signal level of more than +13 dBm, which is indicated on the product label.
High Temperature Operation	It may cause damage and/or degradation of reliability / lifetime to operate the unit in a condition where the ambient temperature exceeds the maximum value, <u>+60 °C</u> , at operating temperature described in the specifications.
Vibration / Shock	When vibration and/or shock impact exceeding the conditions described in the specifications is applied, internal parts may be damaged.

* Above specifications are subject to change without notice.

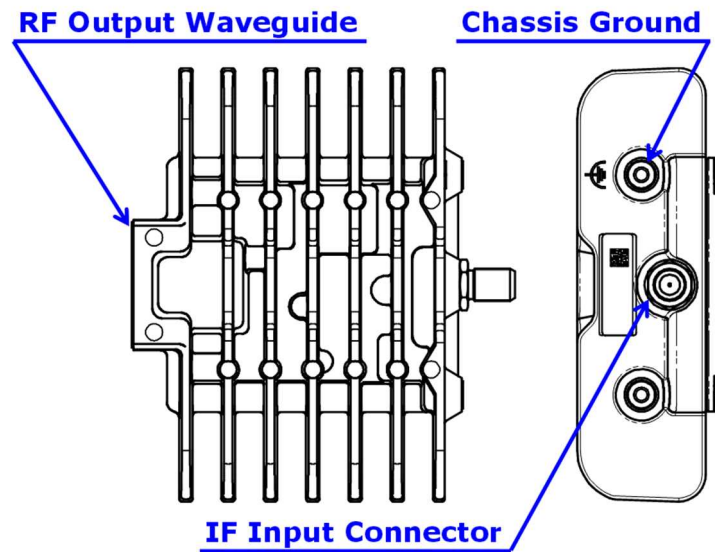
Items	Description
Warranty	<p>The unit is covered by a warranty for one(1) year following delivery unless otherwise stipulated in the contract or delivery conditions.</p> <p>Repairs may be possible under payment of charge even for the unit whose warranty period has expired.</p> <p>Opening, removing, disassembling and modifying any parts and components (including the product label, sealing tape and screws) without fan equipment will immediately void the warranty.</p> <p>In any case, the unit of invalid warranty cannot be repaired.</p>

* Above specifications are subject to change without notice.

8. Instructions Manual

8.1. Descriptions

This section describes the information of connectors and etc.



Items	Description	Purpose
RF Input Waveguide	Waveguide: WR-75 Flange: Square Cover Grooved (Equivalent to PBR 120)	The BUC transmits an RF signal of Ku-band (13.75 to 14.5 GHz, or 14 to 14.5 GHz) output with up to 6W (+37.8 dBm) linear as output power @ 1 dB G.C.P. (P1dB) via this waveguide.
Chassis Ground	M4 Screw	Common chassis ground / frame ground.
IF Input Connector	F-type Female Coaxial Connector, 75 Ohms OR N-type Female Coaxial Connector, 50 Ohms	The BUC inputs an IF signal of L-band (950 to 1,450 MHz, or 950 to 1,700 MHz), and requires to supply +12 to +30 V DC power and a 10 MHz reference signal via this connector.

* Above specifications are subject to change without notice.

8.2. Connection and Installation

This section describes basic installation for the BUC.

8.2.1. Mounting Configuration

The Unit can be mounted with OMT or the waveguide filter of the satellite antenna.

When installing the BUC, the following guidelines should be complied:

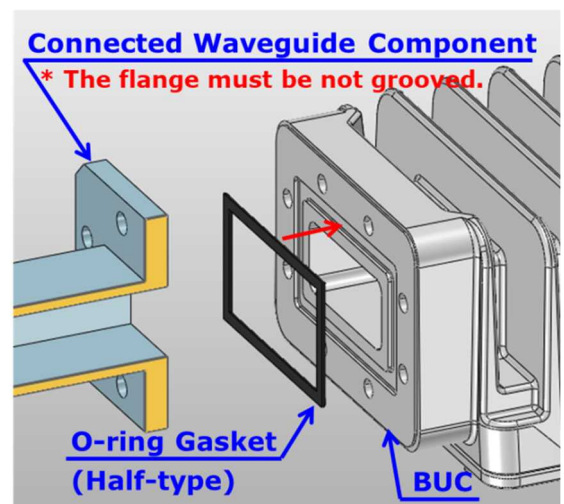
- ✓ Check factors such as accessibility, cable connection and future expansion on the installation location.
- ✓ Plan for access to connector side of the BUC.
- ✓ Arrange the BUC with the fin face up or side.

! NOTE

- ✓ Do not block fins of this unit to keep the heat dissipation performance.
Normally the BUC should be mounted with long fins face up or side to keep heat dissipation.

When mounting with the OMT or the waveguide filter, the following steps should be complied:

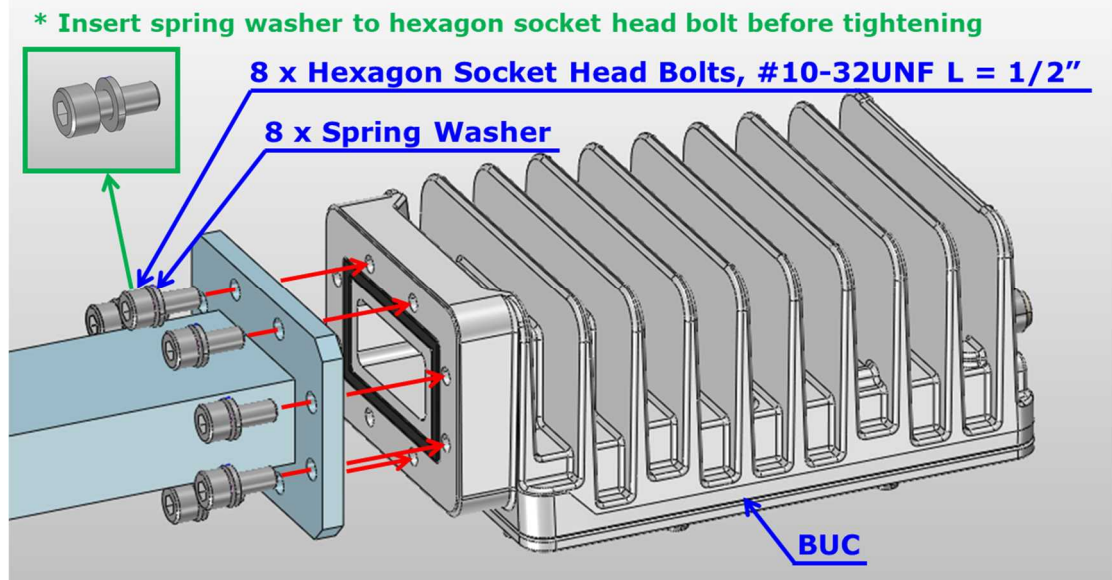
- Step 1: Verify that the groove on the waveguide flange for a gasket is clean. The enclosed gasket as accessories is full-type and it is assumed to connect the BUC to a flat waveguide flange (non-grooved waveguide flange). Insert the gasket the groove as shown in the figure on the right.



- Step 2: Secure the OMT or the filter to the BUC by tightening the enclosed hexagon socket head bolts (#10-32UNF L = 1/2") with 2.39 to 2.91 N·m torque as shown in the figure below, when the thickness of the flange of the OMT or filter is assumed to be 4 to 7 mm. The enclosed washers as accessory must be inserted to bolts before tightening bolts. When the thickness is exceed 7 mm, the appropriate length screws or bolts based should be prepared on the table on the right.

Flange Thickness of OMT/Filter	Screw Length
4 to 7 mm [0.15" to 0.275"]	1/2"
7 to 10 mm [0.275" to 0.4"]	5/8"
10 to 13 mm [0.375" to 0.525"]	3/4"

* Above specifications are subject to change without notice.



! NOTE

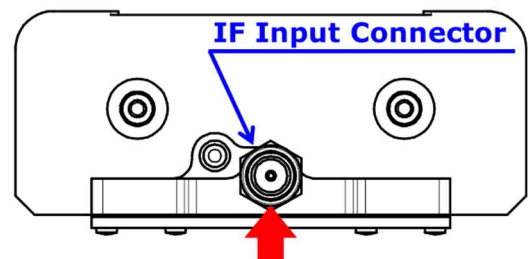
- ✓ The BUC must be adequately weatherproofed to place in outdoor.
Ensure that the waveguide joint is properly sealed with the enclosed o-ring gasket.

8.2.2. Connecting Coaxial Cable

The BUC is connected the modem with a coaxial cable, and requires to supply +12 to +30 V DC power and a 10 MHz reference signal from the modem.

The connection of coaxial cable should be complied with the following steps:

- Step 1: Connect the coaxial cable with the N or F-type male connectors to the coaxial connector equipped with the BUC which is shown in the figure on the right below under 0.68 to 1.13 N·m tighten torque.
- Step 2: Use self-amalgamating tape to seal connector and cable entry points from the connector to the cable sheath.



Connect the coaxial cable, and supplied the DC Power and 10MHz reference signal from modem.

Do not power on the modem before finishing all of steps of Connecting Coaxial Cable.

! NOTE

- ✓ The BUC must be adequately weatherproofed to place in outdoor.
Do seal all of cable connection points from the connector to the cable sheath by usage of self-amalgamating tape.

8.2.3. Connecting Ground Wire for Chassis Ground

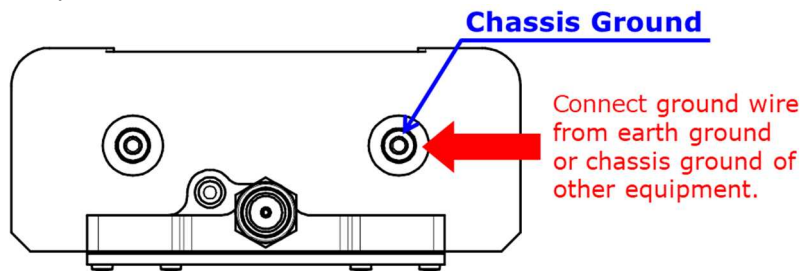
*Above specifications are subject to change without notice.

The BUC can be had the chassis ground of the other equipment (e.g. modem) in common.

Connecting wire for common chassis ground from the chassis ground of the other equipment should be complied with the following step:

Tools Required: #2 Phillips screwdriver

Step: Connect the ground wire from earth ground or chassis ground of other equipment to the chassis ground with M4 x 6 mm Philips pan head screw under 1.15 to 1.4 N·m tighten torque.



! NOTE

- ✓ To reduce the risk of damage or broken by lightning surge, the unit should be grounded by connecting the ground wire.

8.2.4. Start-up

Start-up will be immediately performed with the following step:

Step: Power on the modem and supply the DC voltage and 10 MHz reference from modem.

! DANGER

- ✓ Only input a DC voltage within the range indicated in specifications.
Do operate with the input voltage range between +12 and +30 V DC power.
When applying higher voltage than specifications (+30 V as maximum voltage in DC power requirement), it will not only cause this unit failure, but it may also result in electric shock and fire.

! NOTE

- ✓ The 10 MHz reference signal should be supplied with the range between -5 and +5 dBm with sine-wave for correctly operation.
Do not supply the signal level of more than +13 dBm.
- ✓ Do not power on the modem before finishing all of steps of Connection and Installation.

*Above specifications are subject to change without notice.