

# Ku Band Transmit Reject Filter (10.70 – 12.75GHz), High Power



Your Trusted Source for Satellite Equipment

Designed for full (**universal**) Ku-band operation, this TRF provides **deep rejection** of the transmit band with minimal effect on the receive band.

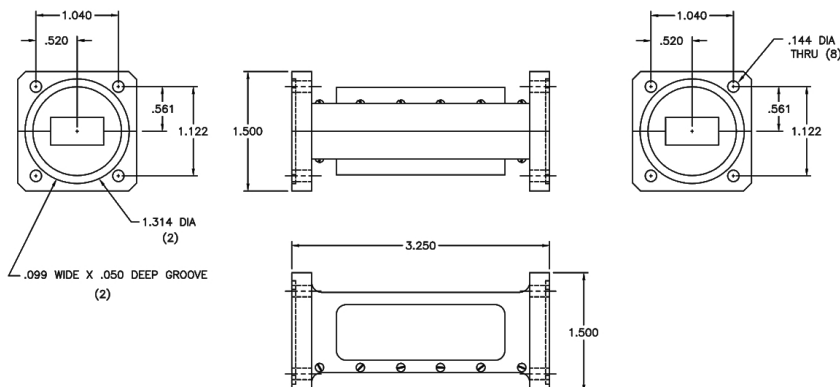
- *Ideal for High Power VSAT Applications-World Wide*
- *Alternate Flange Configurations are Available Upon Request*



FLT-KUTRF\_HP

## Specifications:

Passband:	10.70 - 12.75 GHz (Ku-Universal Receive Band)
Insertion Loss:	0.1 dB Typ
VSWR:	1.20:1 Max
Reject Band:	13.75 - 14.5 GHz (Ku-Universal Transmit Band)
Rejection:	100 dB Typ; 90 dB Min
Flanges:	WR75 Cover & Grooved
Dimensions:	3.25" x 1.5" x 1.5" (82mm x 38mm x 38mm)
Finish:	Gloss White Lacquer



FLT-KUTRF-HP\_REV002

Specifications are subject to change without notice

sales@vikingsatcom.com • www.vikingsatcom.com

T: 517.629.3000 • F: 517.629.2379 • 704 North Clark Street • Albion, MI