

Ku Band Transmit Reject Filter (10.70 – 12.75GHz)



Your Trusted Source for Satellite Equipment

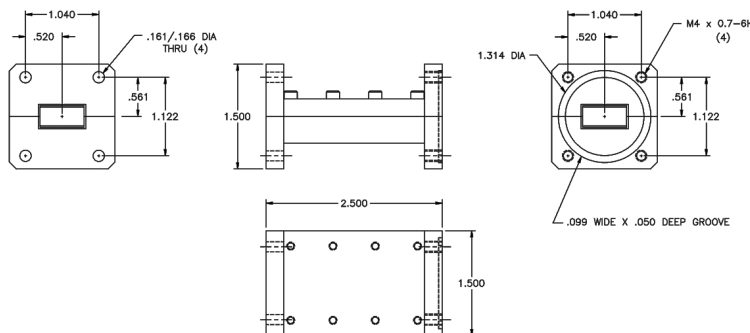
Designed for full Ku-Band downlink reception and uplink suppression. This versatile filter is ideal for VSAT applications around the world.



FLT-KUTRF

Specifications:

Passband:	10.70 - 12.75 GHz
Insertion Loss:	0.1 dB Max
VSWR:	1.20:1 Max
Reject Band:	13.75 - 14.50 GHz
Rejection:	70 dB Min
Operating Temperature:	-55°C TO +70°C
Flanges:	WR75 Cover WR75 Grooved
Weight:	0.25 lbs (0.11 Kg)
Dimensions:	2.5" x 1.5" x 1.5" (63mm x 38mm x 38mm)
Finish:	Gray Lacquer



FLT-KUTRF_REV002

Specifications are subject to change without notice

sales@vikingsatcom.com • www.vikingsatcom.com

T: 517.629.3000 • F: 517.629.2379 • 704 North Clark Street • Albion, MI