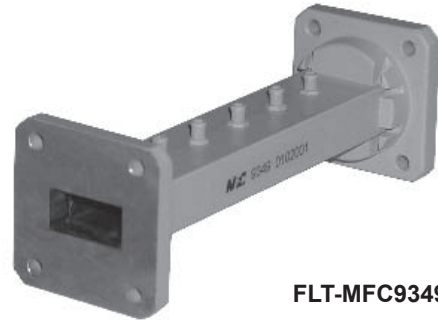


# TI Filter, Ku Band Bandpass Filter (11.7 - 12.2GHz)



Your Trusted Source for Satellite Equipment

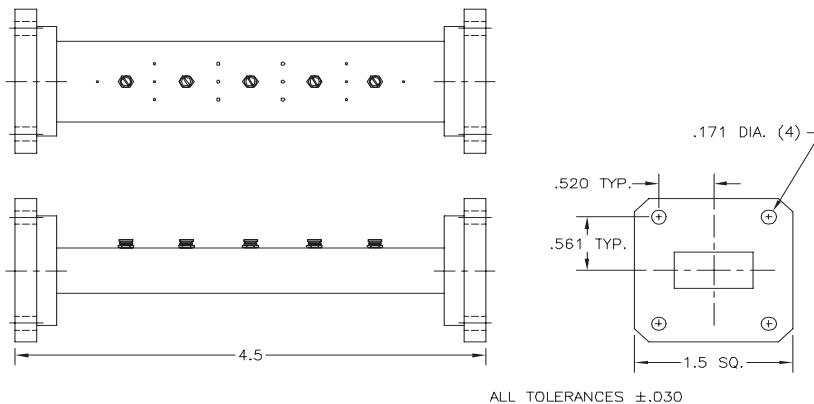
Since this downlink filter is in a bandpass configuration, it not only provides isolation from the uplink band (14-14.5 GHz) but also suppresses potential interference from frequencies located below the receive band.



FLT-MFC9349

## Specifications:

Passband:	11.7 - 12.2 GHz
Insertion Loss:	0.5 dB Max
VSWR:	1.25:1 Max
Reject Bands:	14.0 - 14.5 GHz 10.55 - 10.68 GHz
Rejection:	55 dB Typ 14.0-14.5 GHz 60 dB Typ 10.55-10.68 GHz
Power:	1 Watt
Flanges:	WR75 Cover



FLT-MFC9349\_REV002

Specifications are subject to change without notice

sales@vikingsatcom.com • www.vikingsatcom.com

T: 517.629.3000 • F: 517.629.2379 • 704 North Clark Street • Albion, MI