



PCS-ISO20 Mobile Shelter

Profen's Command and Control Shelter is a portable that can be rapidly deployed and immediately function as an on-site command and control center. The shelter can also be used as a stand-alone HQ as a part of a mobile tactical operation center. It's equipped with any kind of communication and monitoring equipment based on project and customer requirement.

Field operation or crisis management is vital in a range of homeland security scenarios including terrorism, natural disasters, and large-scale events. These situations involve multiple national and multi-national agencies, making a unified and fully coordinated response essential for a successful outcome.

Typical Applications

- Transportable Command & Control station,
- UAV Ground Communication Station,
- Homeland Security Mobile HQ,
- Transportable GSM/LTE station with satellite backhaul,

Key Features

- Contains equipment room and operational area for personnel,
- Completely self-contained,
- Self-supported energy and climate control,
- Optionally equipped with auto-pointing satellite antenna,
- Optionally equipped with auto-deploy mast for R/L,
- Optionally equipped with tactical LTE and WiFi systems,

Operational Benefits

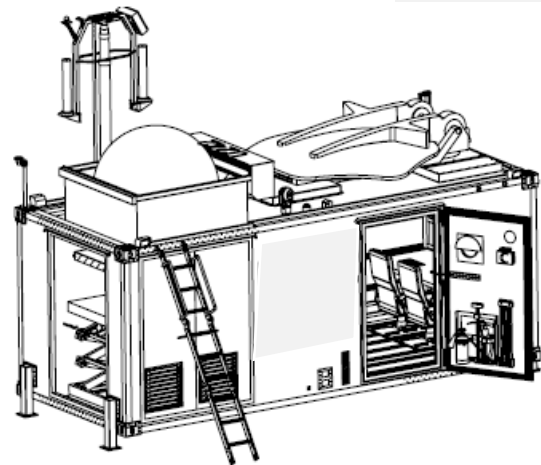
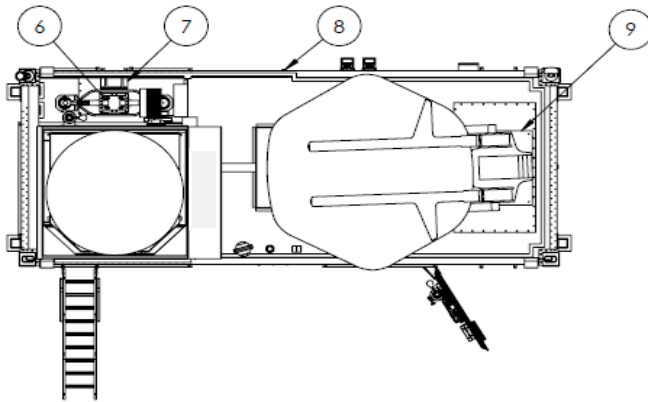
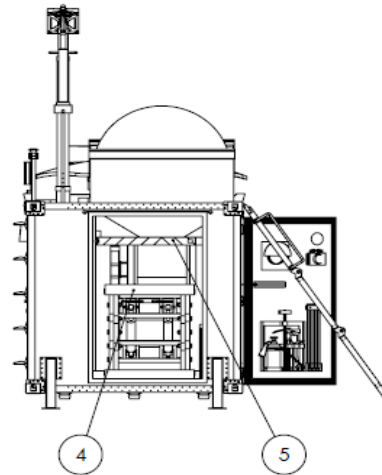
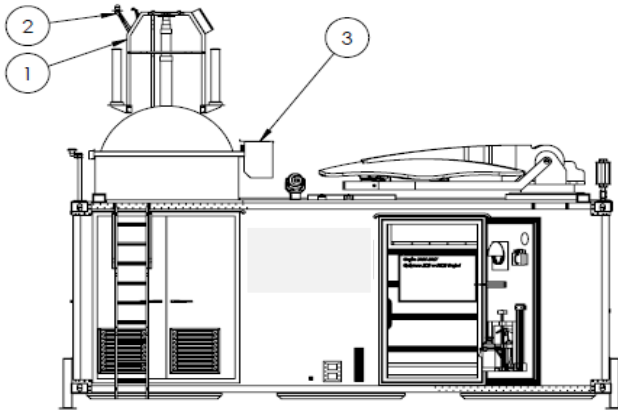
- ISO 20-foot type container construction,
- Quickly transportable & deployable,
- Coordinated command center for any homeland security scenario or tactical operation,
- Can equipped any kind of Command & Control equipment,
- Provides full connectivity and mobility at any operational arena,

PCS-ISO20 Mobile Shelter

Profen's ISO type mobile Command and Control Shelter is part of its comprehensive suite of homeland security solutions. It is a portable that can be quickly deployed and immediately function in the field.

Together with Profen's integrated hardware and software solutions the unit make it possible seamless operation from the field.

A Sample Project



No	Part Numbers	Definetion
1	04-02-0000	Carrier For Omni Antenna
2	04-09-0000	GPS Antenna Foot
3	04-07-0000	Ship Antenna Upper Shutter
4	04-14-0000	Scissor Lift
5	04-05-0000	Scissor Upper Casing Plate
6	04-04-0000	Mast Bottom Plate
7	04-03-0000	Mast Wall Fittings
8	04-08-0000	Water Balance
9	04-13-0000	SNG Antenna Bottom Plate
10	04-08-0000	Water Balance