

Ku-Band OMT

Swedish Microwave Partnr 200135



Shown with 90° bend fitted

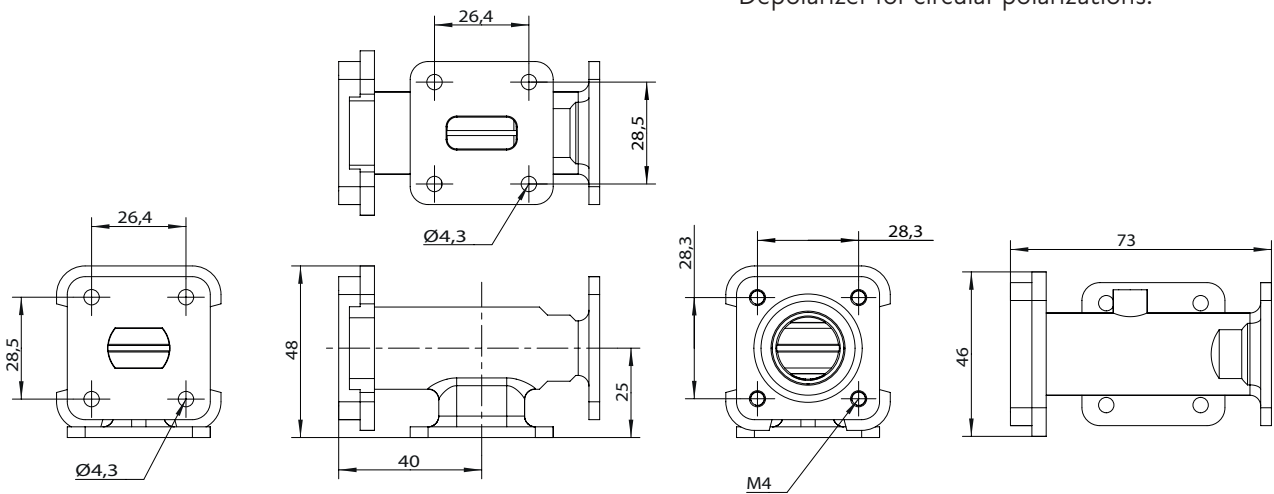
Description

Swedish Microwave OMT (Ortho Mode Transducer) is used to separate two orthogonal linearly polarized signals simultaneously.

The OMT can also support circular polarizations with a depolarizer. Greater than 31.5 dB isolation between the two linear polarizations is achieved.

Accessories:

- Bend for the vertical polarization.
- Waveguide cover for H-pol port.
- Depolarizer for circular polarizations.



Technical specifications

MODEL:	OMT Ku-Band
Frequency Range Vertical	10.70 - 14.50 GHz
Frequency Range Horizontal	10.70 - 12.75 GHz
Input Waveguide	C120 (circular 18 mm)
Output Waveguides	WR75
Input VSWR	1.5:1 max
Cross Polarization (isolation)	31.5 dB min.
Transmission Loss	0.1 dB
Temperature Range	Storage and operating: - 40° to + 80° C
Weight	200 g
Material	Zinc
Dimensions	125 x 48 x 46 mm, (73 x 48 x 45 mm w/o bend), for drawing, see www.smw.se



Professional Satcom Frequency Converters & Components. All products are fully CE and RoHS compliant and every unit includes full documentation of performance tests and quality control. Please contact sales@smw.se to configure or customize the unit to your needs. Visit smw.se or scan QR code to see our full product range and request a quote.



Technical specifications are typical, for specific part number specifications, please contact us. Specifications are subject to change without prior notice. Products from Swedish Microwave AB are made for commercial use. Swedish Microwave AB | Dynamovagen 5 | S-591 61 Motala | Sweden | Contact: +46 141 21 61 35 | sales@smw.se | smw.se