

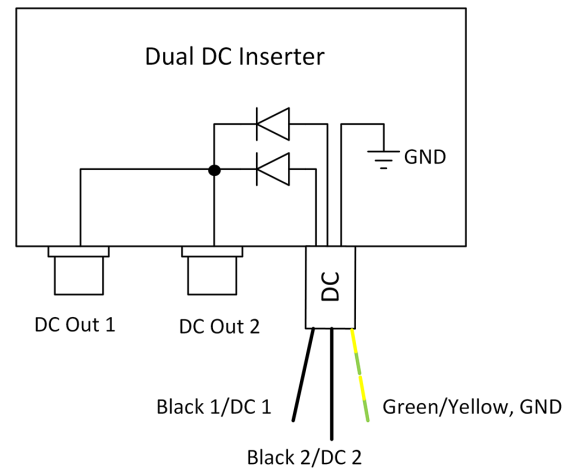
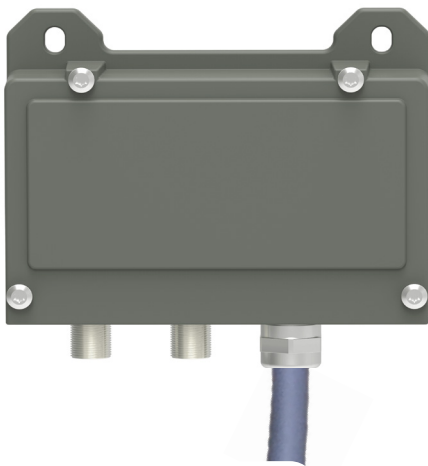
Dual DC Inserter

*Dual DC Inserter
with DC cable for
Fiber LNB.*

The Dual DC Inserter is mainly used for DC feed to our Fiber LNBs.

The DDCI is delivered with a 15 meters of 3 lead DC cable that allows to be used together with one PSU or with two PSUs for Redundancy.

Together with the TDK Lambda PSU it can supply one or two Fiber LNBs.



TECHNICAL SPECIFICATIONS

MODEL:	Dual DC Inserter
DC Input	15 - 26 VDC
DC Output	15 - 26 VDC
Current Drain	2 x 500 mA max.
DC Cable	3 x 0,75 mm ² , 15 meter, specification according to DIN VDE 0281
DC Output Connectors	F-type 75Ω / N-type 50Ω / SMA-type 50Ω
Temperature Range	-40 to +80°C
Protection class	IP 67
Weight	1650 g
Dimensions	DC Inserter: 96 x 28 x 89 mm (N-connectors), Cable Ø 5,6 mm, for drawing, see www.smw.se
Accessories	Mount for DIN rail
Options	Custom DC cable length.

Rev.04-20-1B

Above parameters are generic product family values. For part number specific min./max. values, please consult us.

Specifications are subject to change without notice. Products from Swedish Microwave AB are made for commercial use.