



### WAYFARER™ WDA120KU

#### 1.2m Ku-Band Drive-Away

Norsat's solution for reliable and easy-to-deploy mobile communications. The solid, low weight, and low height reflector mount deploys easily for fast and reliable satellite acquisition. Whether mounted on an emergency vehicular command center or a mobile broadcast van – count on Norsat's WAYFARER™ drive-away terminals for drive-away broadband-level communications capability.

#### FEATURES

- Easy and intuitive LinkControl™ Interface
- Heavy duty platform and reflector folding design
- Lightweight and durable carbon fiber reflector
- Fast, simple, intuitive one-button deployment on ACU
- From “stow-to-go” in under 8 minutes
- Automatic 3-axis acquisition
- Wide range of Norsat BUC and LNB configurations
- Includes easy-to-use IRU ACU for indoor operation



#### SPECIFICATIONS

##### ELECTRICAL

|                              |  |
|------------------------------|--|
| Reflector aperture           | 1.2m                                     |
| Reflector material           | Carbon fiber                             |
| Reflector type               | Offset                                   |
| Tx frequency                 | 13.75 to 14.5 GHz                        |
| Rx frequency                 | 10.70 to 12.75 GHz                       |
| Tx gain                      | 42.8+20log(f/14.25) dBi                  |
| Rx gain                      | 41.5+20log(f/12.5)dBi                    |
| Polarization                 | Linear                                   |
| Cross polarization (On-Axis) | ≥35 dB                                   |
| Rx/Tx isolation              | Rx ≥ 40dB Tx ≥ 85 dB                     |
| Sidelobe                     | First sidelobe ≤ -14 dB                  |
| Azimuth range                | ± 200°                                   |
| Elevation range              | 10° to 90°                               |
| Polarization range           | ± 90°                                    |
| Azimuth speed                | 0.1°/s to 6°/s                           |
| Elevation speed              | 0.1°/s to 6°/s                           |
| Polarization speed           | 0.1°/s to 6°/s                           |
| Feed interface               | WR75                                     |
| Power supply                 | AC110-230V 50/60Hz, rated 200W, 500W max |

##### MOUNTING

|             |                                     |
|-------------|-------------------------------------|
| Weight      | ≤85 Kg                              |
| Stowed size | 176 cm (L) × 121 cm (W) × 42 cm (H) |

##### ENVIRONMENTAL

|                         |                |
|-------------------------|----------------|
| Wind load - operational | 72 km/h        |
| Wind load - survival    | 90 km/h        |
| Temperature             | -30°C to +55°C |
| Humidity                | 0-95%          |
| Water ingress           | IP 65          |

# WAYFARER WDA120KU 1.2M KU-BAND AUTO DRIVE-AWAY ANTENNA



- A - Primary ACU Display
- B - Navigation / Entry keys
- C - Status Indicator
- D - Power Switch
- E - Firmware Upgrade Console Input

## HOW TO ORDER

# WDA120KU-NA

AC POWER PLUG

- NA = North America (NEMA 5/15)
- UK = UK (BS 1363)
- EU = Europe (CEE 7/7)
- IEC = IEC (60320 CIA)

## ACCESSORY OPTIONS

### BUC OPTIONS

- 2W
- 3W
- 4W
- 6W
- 8W
- 10W
- 16W
- 20W
- 40W

### BUC

- ELMTBKU002
- ELMTBKU003
- ELMTBKU004
- ELMTBKU006
- ELMTBKU008
- ELMTBKU010
- ATOMBKU016
- ATOMBKU020
- ATOMBKU040

### BUC POWER SUPPLY

- Via IFL Cable Connection
- Via IFL Cable Connection
- Via IFL Cable Connection
- Via IFL Cable Connection
- Via IFL Cable Connection
- Via IFL Cable Connection
- PS300-AT1(NA/UK/EU/IEC)
- PS300-AT1(NA/UK/EU/IEC)
- PS300-AT1(NA/UK/EU/IEC)

### BUC M & C CABLE

- Not Applicable
- Not Applicable
- Not Applicable
- Not Applicable
- Not Applicable
- Not Applicable
- CABLEM+C-AT10
- CABLEM+C-AT10
- CABLEM+C-AT10

### BUC MOUNTING BRACKETS

- WDA120KUMT-004
- WDA120KUMT-004
- WDA120KUMT-004
- WDA120KUMT-006
- WDA120KUMT-008
- WDA120KUMT-010
- WDA120KUMT-024
- WDA120KUMT-024
- WDA120KUMT-024

## LNB OPTIONS

LNB 1000H or HS1000, with Type F (75 Ohm) Connector

## IFL CABLE OPTIONS

IFL Cable (10m)

### NN-FF

IFL-NN-FF-10

### NN-NN

IFL-NN-NN-10

## MODEM CABLE OPTION (For iDirect product only)

MOD-CABLE

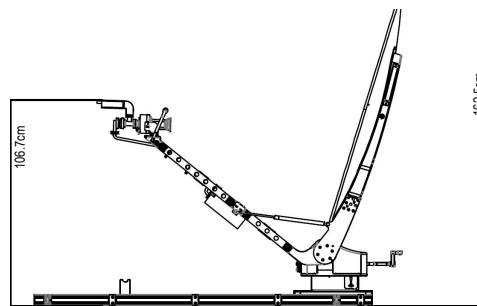
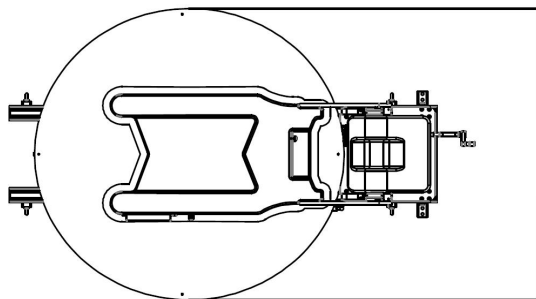
## WIND DEFLECTOR

WDA120WIND

## INTEGRATION

**WF-INT** Assembly, function verification, and pointing test (standard product/RF packages only)

Custom integration also available. Contact [sales@norsat.com](mailto:sales@norsat.com) for more information.



[sales@norsat.com](mailto:sales@norsat.com)  
[www.norsat.com](http://www.norsat.com)