



- Dual bands are switchable
- Low power consumption
- Higher reliability from integrated design principle
- Compact size and light weight
- Meet ETSI, FCC standards



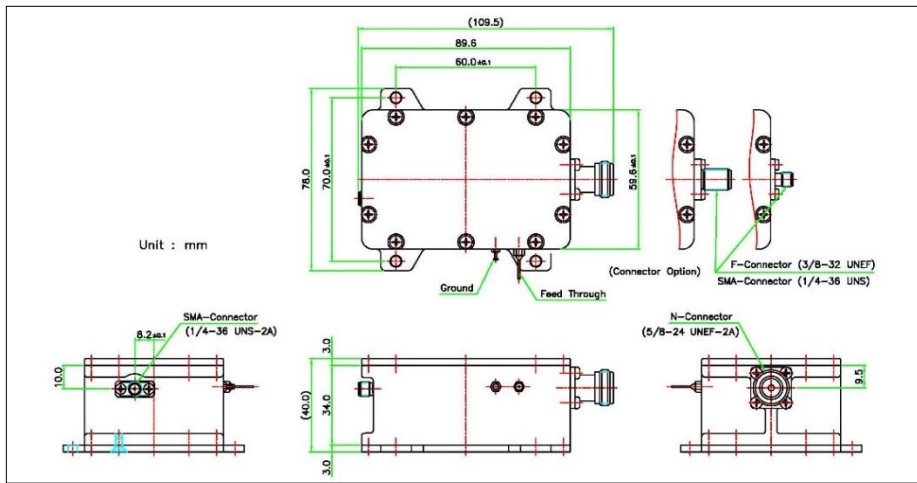
Block Downconverter Ku-Band 1212 (BDC)

Model: GBDKU12125, GBDKU121210, GBDKU121225

Specifications

Parameter	Specification
Input Freq.	12.25 - 12.75 GHz
Output Freq.	950 – 1450 MHz
L.O Freq.	11.3 GHz
Noise figure	15 dB max
Conversion gain at -40 to +60°C	20 dB typ. (17dB min. 23dB max.)
Gain flatness	4 dBp-p max.
Gain flatness at -40 to +60°C	5 dBp-p max.
Gain ripple at per 27MHz, -30 to +60°C	1 dBp-p max.
L.O stability at -40 to +60°C	±5, 10, 25 KHz max.
Image rejection	40 dBc min.
Phase noise	-70 dBc/Hz (@ 1KHz) -80 dBc/Hz (@ 10KHz) -95 dBc/Hz (@ 100KHz)
Output P1dB	+5 dBm min.
Input VSWR	2.0: 1 max
Output VSWR	2.0: 1 max
Input connector	SMA-type female
Output connector	F, N, SMA-type female (option)
Power supply	+12 to +24V DC
Power supply connector	Feed thru and/or output connector
Required current	300 mA max.
Operating temperature	-40 to +60°C
Waterproof	IP 67
Dimension (exclude connector)	89.6 x 78.0 x 40.0 mm
Weight	400 g

Mechanical Diagram (Unit: inch (mm))



www.geosatmicrowave.com

sales@geosatmicrowave.com