



**GeosSat**  
**Microwave**

- Dual bands are switchable
- Low power consumption
- Higher reliability from integrated design principle
- Compact size and light weight
- Meet ETSI, FCC standards



## Low Noise Block Ku-Band Ext. Ref. Dual PLL (LNB)

Model: **GLKU2LOEN**

Section	Item	Specification
Band 1	Input (GHz)	10.7 - 11.7
	Output (MHz)	950 - 1950
	L.O (GHz), Switching	9.75 @13 VDC / or 22KHz off
Band 2	Input (GHz)	11.7 - 12.75
	Output (MHz)	1100 - 2150
	L.O (GHz), Switching	10.6 @18 VDC / or 22KHz on
Specifications	Noise figure (@ +25°C)	1.0 dB max.
	Input VSWR	2.5 : 1 max.
	Image rejection	40 dBc min.
	Conversion gain	60 dB typ. (55dB min. 65dB max.)
	Output VSWR	2.5 : 1 max.
	Gain flatness	5 dBp-p max.
	Gain ripple (@ per channel)	1 dBp-p max.
	1dB gain compression point	+5 dBm min.
	Output impedance	75, 50 ohms
	Leakage (@input port)	-45 dBm max.
	L.O stability (over temp.)	Depends on external reference
	Ext. ref. input freq. & power	10 MHz, -5 to +5 dBm
	Ext. ref. input port	IF output connector
	Phase noise	Depends on external reference
	Power supply	+12 to +24V DC
	Required current	350 mA max.
	Operating temperature	-40°C to +60°C
Storage temperature	-40°C to +80°C	
Relative humidity	0% to 95% RH	

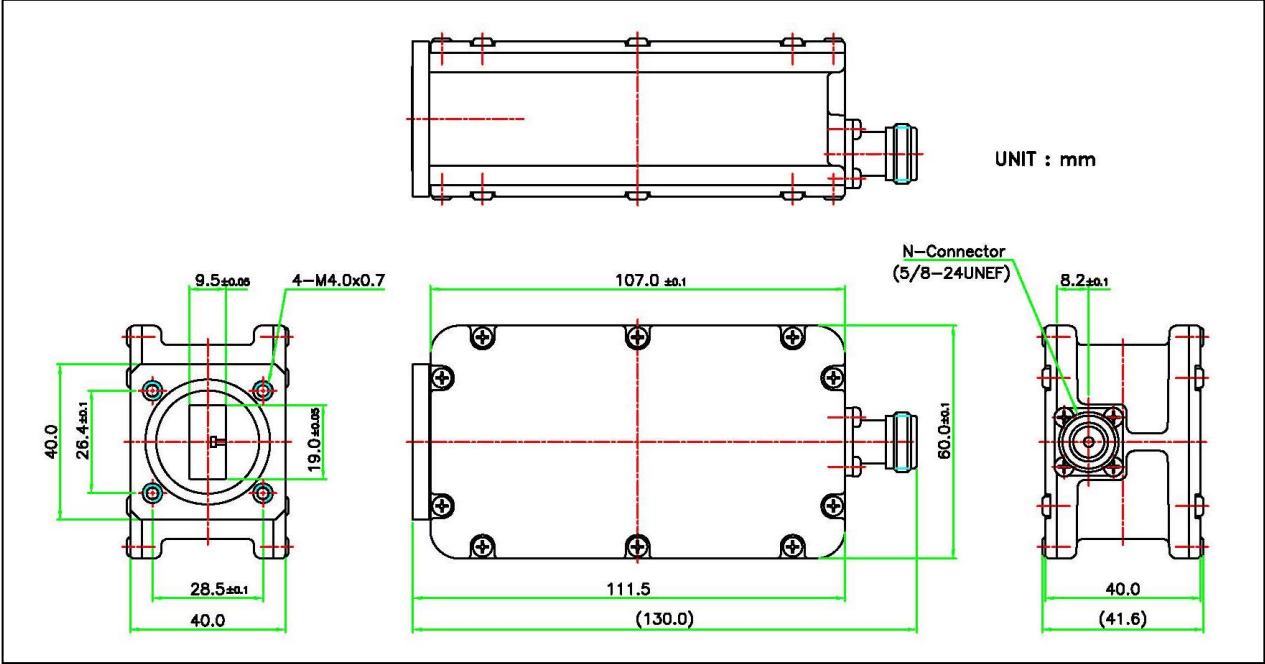
Continued on the next page ▼

Section	Item	Specification
---------	------	---------------

	Input waveguide flange	WR- 75
	IF output connector	F-Type, N-Type female
	Weight	400 g

www.geosatmicrowave.com      sales@geosatmicrowave.com

Mechanical Diagram (Unit: inch (mm))



www.geosatmicrowave.com      sales@geosatmicrowave.com