



- Low power consumption
- Higher reliability from integrated design principle
- Compact size and light weight
- Meet ETSI, FCC standards

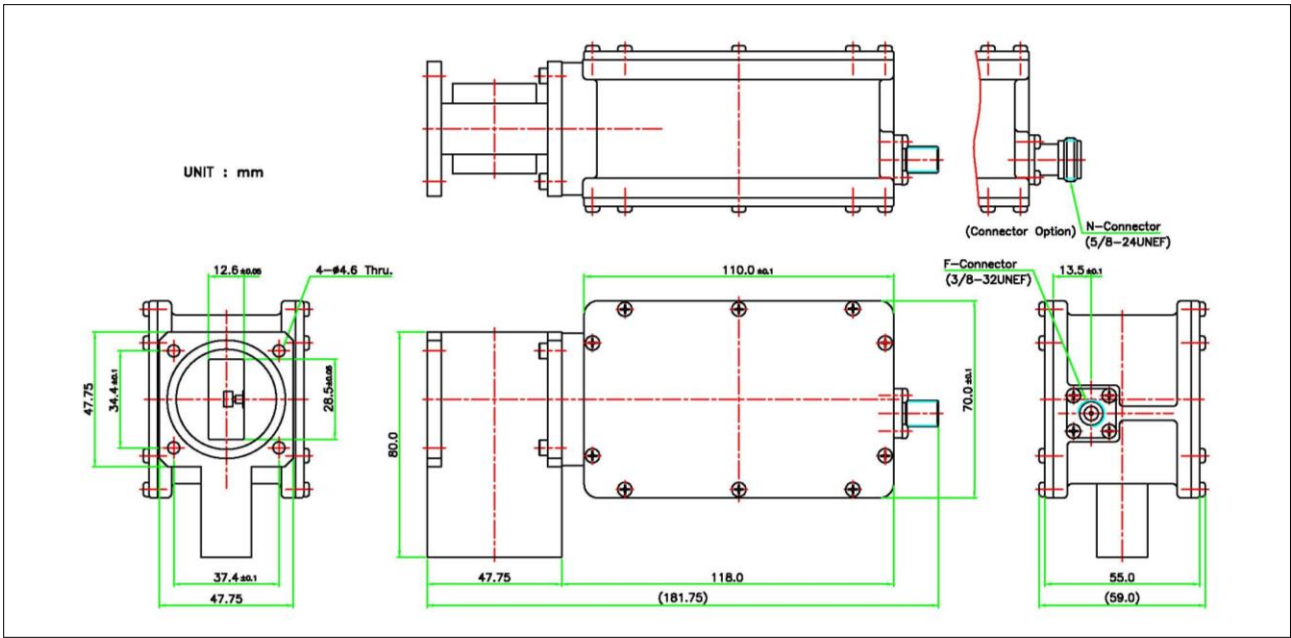


## Low Noise Block X-Band Extended GLBX100XE (LNB) with W/G Isolator

Model: GLBX100XE

Specifications	
Parameter	Specification
Input Freq.(GHz)	7.25 – 7.75
Output Freq.(MHz)	950 – 1450
L.O Freq.(GHz)	6.3
Noise figure	0.7 dB max.
Conversion gain at -40 to +60°C	55 dB typ. (50dB min. 62dB max.)
Gain flatness	4 dBp-p max.
Gain flatness at -40 to +60°C	5 dBp-p max.
Gain ripple at per 27MHz, -40 to +60°C	1 dBp-p max.
L.O stability at -40 to +60°C	depends on ext. ref.
Image rejection	40 dBc min.
Phase noise	-75 dBc/Hz at 1KHz -85 dBc/Hz at 10KHz -95 dBc/Hz at 100KHz
Output P1dB	+5 dBm min.
Ext. ref. input freq. & power	10 MHz, -5 to +5 dBm
Ext. ref. input port	IF output connector
Input VSWR	1.5 : 1 max. (with W/G isolator)
Output VSWR	2.5 : 1 max.
Input waveguide flange	WR-112
Output connector	F, N-type female (option)
Power supply	+12 to +24V DC
Required current	300 mA max.
Operating temperature	-40 to +60°C
Waterproof	IP 67
Dimension (exclude W/G, connector)	70.0 x 59.0 x 118.0 mm
Weight	620 g

# Mechanical Diagram (Unit: inch (mm))



[www.geosatmicrowave.com](http://www.geosatmicrowave.com)

[sales@geosatmicrowave.com](mailto:sales@geosatmicrowave.com)