



MFC

Microwave Filter Company, Inc.

Creating Filters and Components to 50 Ghz for Over 50 Years!

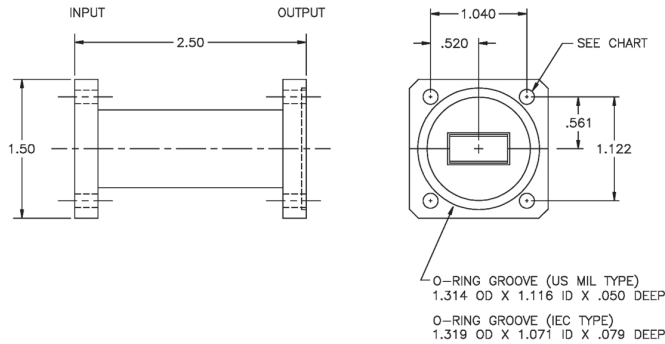
Ku-Band Receive Reject Filter

Model 16606

This uplink filter offers extremely low loss while suppressing downlink frequencies and other services (e.g. DEMS point-to-point).

Specifications:

| | |
|-----------------|--|
| Passband: | 13.75 - 14.50 GHz |
| Insertion Loss: | 0.12 dB Max |
| VSWR: | 1.15:1 Max |
| Reject Band: | 10.0 - 12.1 GHz |
| Rejection: | 50 dB Min 30 dB Min @ 12.75 GHz |
| Flanges: | See Chart |
| Weight: | 0.5 lbs (0.2 Kg) |
| Dimensions: | 2.5" x 1.5" x 1.5" (63mm x 38mm x 38mm) |
| Finish: | Gloss White Lacquer |



| MODEL | INPUT FLANGE (WR75) | | OUTPUT FLANGE (WR75) | | O-RING GROOVE |
|---------|---------------------|-----------------|----------------------|-----------------|---------------|
| | FLANGE | HOLE DIA/THREAD | FLANGE | HOLE DIA/THREAD | |
| 16606 | FLAT | .144 | GROOVED | .144 | US MIL TYPE |
| 16606-1 | PBR120 | .161 | PBR120 | .161 | IEC TYPE |

All MFC Products Designed and Manufactured in the USA



E-Mail: Sales@iktechcorp.com