



# MFC

Microwave Filter Company, Inc.

Creating Filters and Components to 50 Ghz for Over 50 Years!

**Ku(Low)Band Transmit Reject Filter**  
Model 17833-1

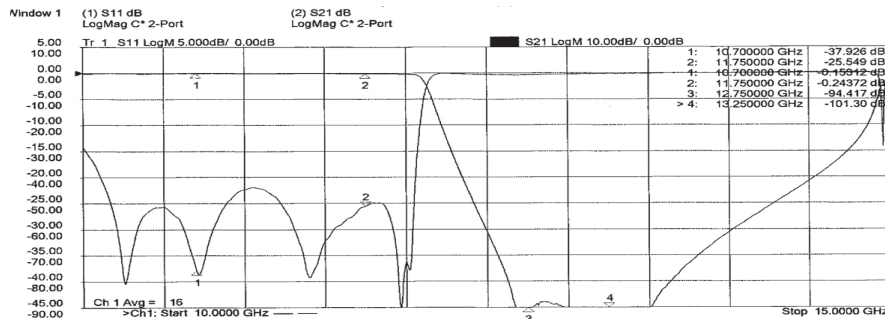
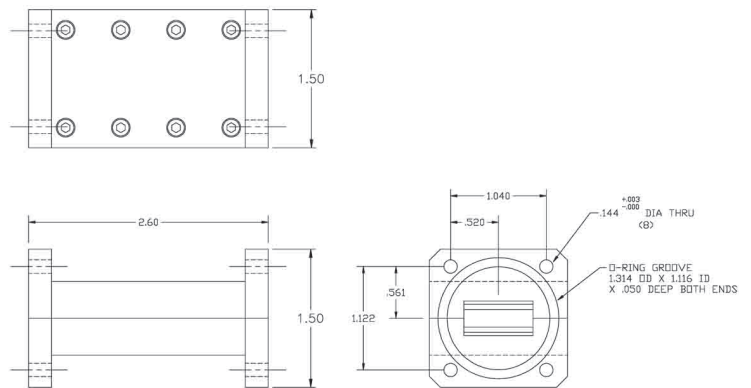
This compact filter was designed specifically for Ku-(low) band transmit rejection with minimal effect on the Ku-(low) receive band.

- Ideal for ARABSAT and other Ku-(low) band Receive Applications
- Alternate Flange Configurations are Available Upon Request



### Specifications:

Passband:	10.70 - 11.75 GHz (Ku-Low Receive Band)
Insertion Loss:	0.15 dB Typ
VSWR:	1.20:1 Typ
Reject Band:	12.75 - 13.25 GHz (Ku-Low Transmit Band)
Rejection:	85 dB Min
Flanges:	WR75 Cover & Grooved
Weight:	0.26 lbs (0.12 kg)
Dimensions:	2.6" x 1.5" x 1.5" (66mm x 38mm x 38mm)



All MFC Products Designed and Manufactured in the USA



E-Mail: [Sales@iktechcorp.com](mailto:Sales@iktechcorp.com)