



MFC

Microwave Filter Company, Inc.

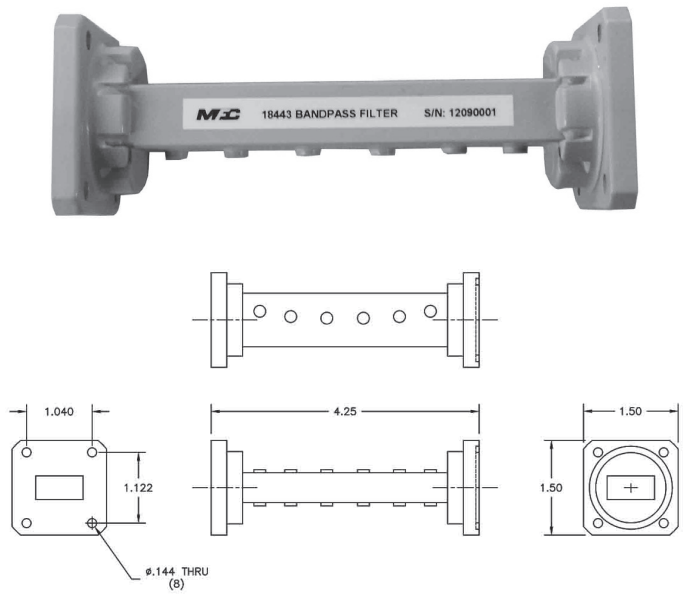
Creating Filters and Components to 50 Ghz for Over 50 Years!

Ku(Mid/High)Band Receive Reject Filter
Model 18443

This filter was designed specifically to reject the Ku-(mid/high) receive band with minimal effect on the Ku-(mid/high) transmit band.

- Ideal for Higher Power Transmit Applications.
- Alternate Flange Configurations are Available Upon Request

Specifications:	
Passband:	14.0 – 14.5 GHz (Ku-Mid/High Transmit Band)
Insertion Loss:	0.15 dB Typ
VSWR:	1.20:1 Typ
Power (CW):	1000 Watts Max
Reject Band:	11.2 - 12.2 GHz (Ku-Mid/High Receive Band)
Rejection:	80 dB Min
Flanges:	WR75 Cover & Grooved
Weight:	0.5 lbs. (0.22 kg)
Dimensions:	4.0" x 1.5" x 1.5" (102mm x 38mm x 38mm)
Finish:	Gloss White Lacquer



All MFC Products Designed and Manufactured in the USA



E-Mail: Sales@iktechcorp.com