



MFC

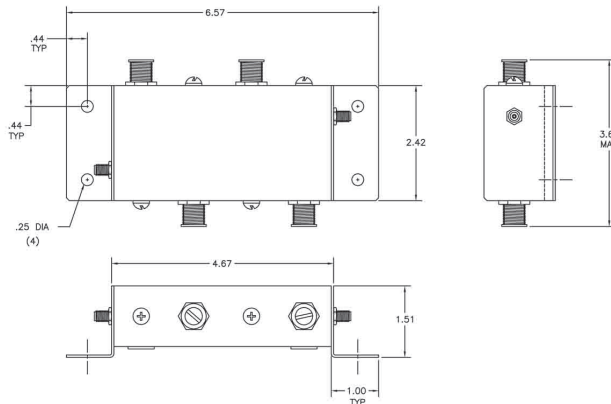
Microwave Filter Company, Inc.

Creating Filters and Components to 50 Ghz for Over 50 Years!

This bandpass filter isolates this telemetry band from other surrounding L-band operations.

Specifications:

Passband:	1435 - 1540 MHz
Passband Loss:	0.2 dB Typ
Passband VSWR:	1.15:1 Typ
Rejection:	20 dB Typ @ 1360/1610 MHz 40 dB Typ @ 1270/1710 MHz 60 dB Typ @ 1100 MHz 70 dB Typ @ 2200 MHz
Impedance:	50 ohms
Connectors:	SMA-female
Dimensions:	6.6" x 3.6" x 1.5" (168mm x 91mm x 38mm)



L-Band Telemetry Bandpass Filter
Model 18756

L-Band Telemetry Bandpass Filter Model 18757-Fo

This narrowband bandpass filter rejects undesired nearby L-band signals, while maintaining low loss in the selected passband.

Feature:

- Selectable Passband - Factory-tuned to any center frequency between 1350-1390 MHz.

Typical Applications:

- GPS • Radio Astronomy • Radar

Specifications:

Center Frequency (Fo) Option:	1350 - 1390 MHz
Passband:	(Fo) +/- 250 kHz Min
Passband Loss:	2.5 dB Typ
Passband VSWR:	1.5:1 Max
Passband Power Rating:	10 Watts (CW) Max
Rejection (Fo +/- 2.5 MHz):	30 dB Typ
(Fo +/- 3.0 MHz)	40 dB Typ
Impedance:	50 ohms
Connectors:	N-female
Dimensions:	8.55" x 6.00" x 2.75" (217mm x 152mm x 70mm)



Ordering Information:

18757-Fo

Fo = Selected passband center frequency between **1350-1390 MHz**

Example – The model **18757-1381.42** has a center frequency of **1381.42 MHz**.

All MFC Products Designed and Manufactured in the USA



E-Mail: Sales@iktechcorp.com