

Creating Filters and Components to 50 Ghz for Over 50 Years!

Multi-Purpose C-Band Receive
Filter Assembly
Model 19511

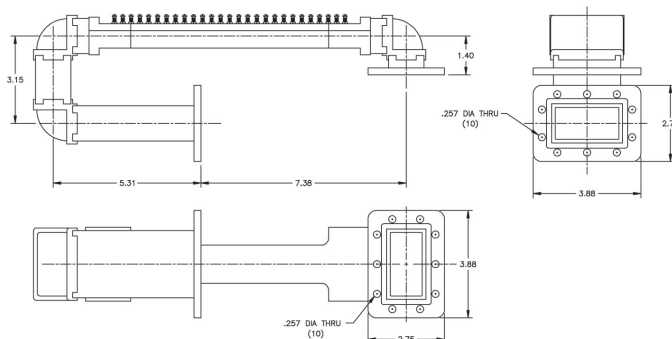
This versatile filter not only rejects the C-band transmit band (5.825-6.725 GHz), it also rejects transmissions from other potential sources of interference, that standard TRFs do not.

Ideal for use at high-density receive sites, the model 19511 filter also provides excellent rejection of these other bands :

Maritime Radionavigation	3 - 3.1 GHz
WiMAX	3.4 - 3.62 GHz
Wireless Services (Point-Multipoint)	4.55 - 4.9 GHz
X-band	7.25 - 8.4 GHz
Maritime & Aeronautical Radionavigation	8.5 - 10.68 GHz
Ku-band	10.7 - 14 GHz

Specifications:

Passband:	3.7 - 4.2 GHz
Passband Loss:	0.3 dB Approx @ Band Center 0.6 dB Approx @ Band Center
Passband VSWR:	1.22:1 Typ
Rejection:	80 dB Typ from DC - 3.5 GHz 55 dB Typ @ 3.62 GHz 60 dB Min from 4.3 - 4.9 GHz 90 dB Min from 4.9 - 14.0 GHz
Flanges:	CPR229G
Dimensions:	See Drawing



All MFC Products Designed and Manufactured in the USA



E-Mail: Sales@iktechcorp.com