

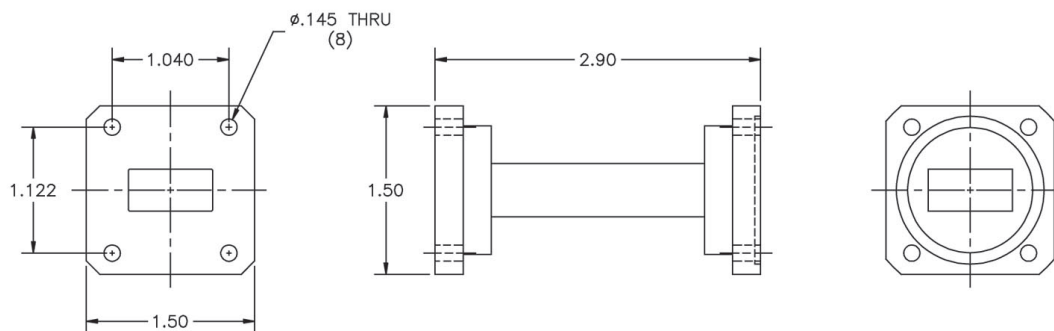
Creating Filters and Components to 50 Ghz for Over 50 Years!

Ku-Band Receive Reject Filter
Model 19623

This compact bandpass filter rejects the receive band with minimal effect on the transmit band.

- Ideal for Medium/High Power Transmit Applications.
- Alternate Flange Configurations are Available Upon Request.

Specifications:	
Passband:	13.75 – 14.50 GHz
Passband Loss:	0.1 dB Typ; 0.2 dB Max
VSWR:	1.20:1 Max
Power (CW):	500 W Max
Rejection:	25 dB Min @ 13.05 GHz 35 dB Min @ 12.75 GHz 75 dB Min @ 10.70 GHz
Flanges:	WR75 Cover – Input / WR75 Grooved - Output
Dimensions:	2.90" x 1.50" x 1.50" (74 mm x 38 mm x 38 mm)
Finish:	White Lacquer



All MFC Products Designed and Manufactured in the USA



E-Mail: Sales@iktechcorp.com