

**China Starwin
uSat Flat-Panel Fixed Terminal
FL60F-M
Datasheet**



Description

The uSat terminal uses an advanced and ultra-modern high-gain flat array antenna system. This is a completely new and novel antenna system designed and produced for a new generation of flat-type integrated satellite communication terminals. All components – antenna system, RF unit, satellite router or receiver, LAN wireless devices and power supply are integrated into a flat compact terminal enclosure and covered by a special metal shield.

The uSat has completely changed the form of the standard parabolic antenna systems that have been used for satellite communication and TV for many years. The uSat terminal provides users of satellite communication and television with a new, unique system that is both easy to deploy and operate. It aims to replace parabolic-shape antenna products that have been characterized by split type of installation, operation, debugging and maintenance.

Due to fast, simple and easy deployment, the uSat flat portable terminals are suitable for emergency services, disaster recovery, military, security, government and enterprise communication applications. Portable uSat flat terminals can be deployed within a very short time to achieve reliable data, voice and video transfer services in areas without terrestrial networks or in places where a temporary communication is required.

Features:

- * Plug and Play (AC, DC optional)
- * All in one with flat panel, modem, BUC, LNB, WiFi, power supply (AC, DC optional)
- * No installation cost, free of maintenance
- * Working for IOT and Broadband Access

Specification:

Item		uSat Flat-Panel Fixed Terminal
Model No.		FL60F-M
Antenna Type		Slotted waveguide array antenna
Equivalent to parabolic antenna size		0.6m
Antenna Efficiency		85%
Frequency Range	Tx	13.75~14.50GHz
	Rx	10.95~12.75GHz
Polarization		Linear
Receiving Gain		≥35dBi
Transmitting Gain		≥36dBi
G/T		13dB/K
First Sidelobe		≥15dB
Satellite Acquisition		Manual pointing to satellite, level error<0.2dB
Azimuth Range		±70°
Elevation Range		0° ~ 90°

China Starwin Science & Technology Co., Ltd.

Tel: +8629-88664381, E-mail: sales@starwincom.com, <http://www.starwincom.com>

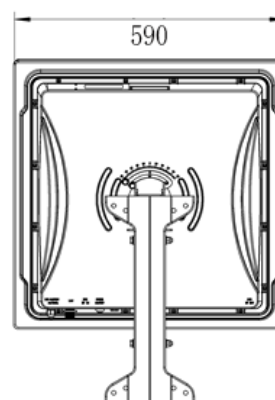
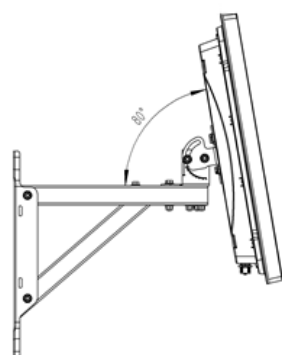
Copyright © 2019 China Starwin

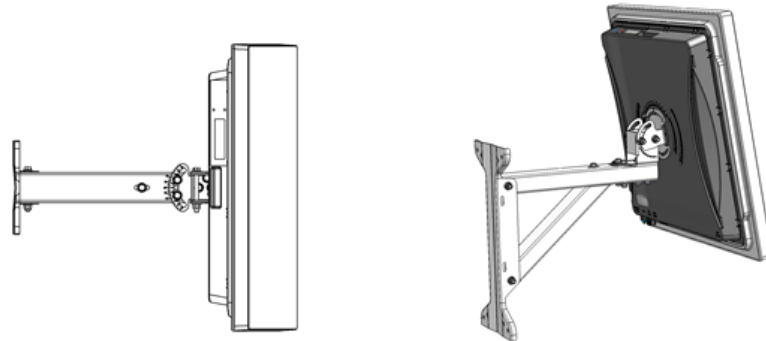
2018 Version

Polarization	±50°
Power Supply	AC 90-264V (DC 24V ±5% Optional)
Max Power Consumption	70W (with 3W BUC)
	110W (with 8W BUC)
Terminal Dimensions	(L×W×H): 590×590×95 (Exclude mounting bracket)
Total Terminal Weight (Exclude cables)	<12Kg (Exclude mounting bracket)
Wind (Operational)	20.8m/s (74km/h)
Operational Temperature	-25°C to +50°C
Ingress Protection	IP-66
Humidity	0 ~ 95%
Typical Satellite Modem	Any Modem whose size is below 240x200mm*
Typical BUC	3W or 8W
Typical LNB	PLL LNB 30K for TDMA systems PLL LNB 5K for SCPC systems
Wireless Router	Supported protocols: IEEE 802.11b/g/n at 2.4GHz
LAN Port (RJ45)	Gigabit Ethernet
Bluetooth Device	v.2.0
GNSS Device Supports	GPS/GLONASS/BeiDou-2/Galileo

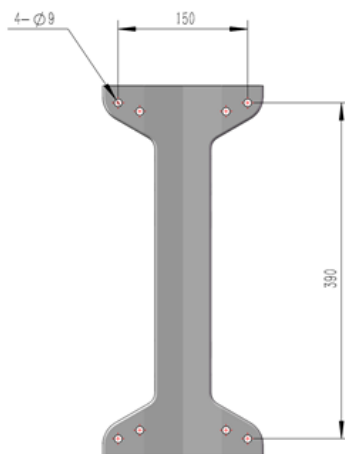
* According to customer's requirements

Terminal Dimensions:

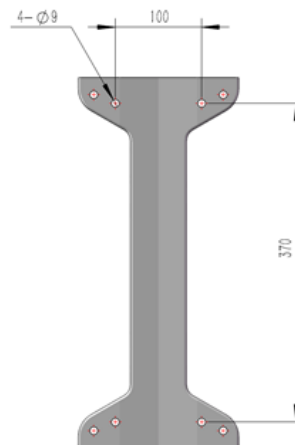




Installation Method:



Installation size 1



Installation size 2

1. Wall mount



2. Pole mount



3. Tripod mount



Terminal Package:

Carton packaging



The dimension of carton packaging is 700×700×270mm
The whole weight is 20 Kg

Application Case:

China Starwin Science & Technology Co., Ltd.

Tel: +8629-88664381, E-mail: sales@starwincom.com, <http://www.starwincom.com>

Copyright © 2019 China Starwin

2018 Version

Unmanned site:



Communication:



Personal application:

