

China Starwin uSat Flat-Panel Portable (Manual) Terminal FL60P-M Datasheet



Description

The uSat terminal uses an advanced and ultra-modern high-gain flat array antenna system. This is a completely new and novel antenna system designed and produced for a new generation of flat-type integrated satellite communication terminals. All components – antenna system, RF unit, satellite router or receiver, LAN wireless devices and power supply are integrated into a flat compact terminal enclosure and covered by a special metal shield.

The uSat has completely changed the form of the standard parabolic antenna systems that have been used for satellite communication and TV for many years. The uSat terminal provides users of satellite communication and television with a new, unique system that is both easy to deploy and operate. It aims to replace parabolic-shape antenna products that have been characterized by split type of installation, operation, debugging and maintenance.

Due to fast, simple and easy deployment, the uSat flat portable terminals are suitable for emergency services, disaster recovery, military, security, government and enterprise communication applications. Portable uSat flat terminals can be deployed within a very short time to achieve reliable data, voice and video transfer services in areas without terrestrial networks or in places where a temporary communication is required.

China Starwin Science & Technology Co., Ltd.

Tel: +8629-88664381, E-mail: sales@starwincom.com, <http://www.starwincom.com>

Copyright © 2019 China Starwin

2018 Version

Features:

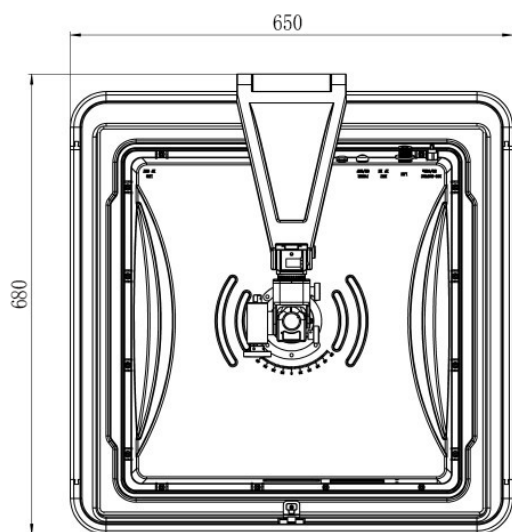
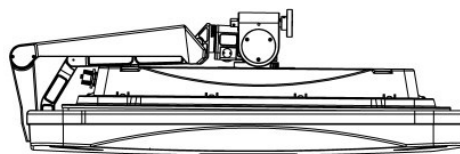
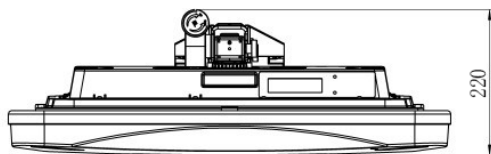
- * All-in-one, fully integrated flat panel antenna, Modem, BUC, LNB, WiFi, Power Supply
- * Higher gain efficiency
- * Small Size, Light weight for backpack
- * Secure satellite easily via mobile app connected with terminal through bluetooth
- * 3.1 inch OLED display for quicker pointing satellite and checking real time working status

Specification:

| Item | uSat Flat-Panel Portable (Manual) Terminal | |
|--|---|----------------|
| Model No. | FL60P-M | |
| Antenna Type | Slotted waveguide array antenna | |
| Equivalent to parabolic antenna size | 0.6m | |
| Frequency Range | Tx | 13.75~14.50GHz |
| | Rx | 10.95~12.75GHz |
| Polarization | Linear | |
| Receiving Gain | ≥35dBi | |
| Transmitting Gain | ≥36dBi | |
| G/T | 13dB/K | |
| First Sidelobe | ≥15dB | |
| Satellite Acquisition | Manual pointing to satellite, level error<0.2dB | |
| Azimuth Range | Unlimited, fine tune ±70° | |
| Elevation Range | 7° ~ 90° | |
| Polarization | ±110° | |
| Power Supply | AC 90-264V (DC 24V±5% Optional) | |
| Max Power Consumption | 80W (with 3W BUC) | |
| | 120W (with 8W BUC) | |
| Terminal Dimensions (not including cables and backpack) | (L×W×H): 680×650×220 | |
| Total Terminal Weight (not including cables and backpack) | <17 Kg | |
| Wind (Operational) | 14m/s (50 km/h) | |
| Operational Temperature | -25°C to +50°C | |
| Ingress Protection | IP-66 | |
| Humidity | 0 ~ 95% | |
| Typical Satellite Modem | Any Modem whose size is below 240x200mm* | |
| Typical BUC | 3W or 8W | |
| Typical LNB | PLL LNB 30K for TDMA systems PLL LNB 5K for SCPC systems | |
| Wireless Router | Supported protocols: IEEE 802.11b/g/n at 2.4GHz | |
| LAN Port (RJ45) | Gigabit Ethernet | |
| Bluetooth Device | v.2.0 | |
| GNSS Device Supports | GPS/GLONASS/BeiDou-2/Galileo | |

* According to customer's requirements

Terminal Dimensions:



Terminal Package:



EPP Case



Backpack

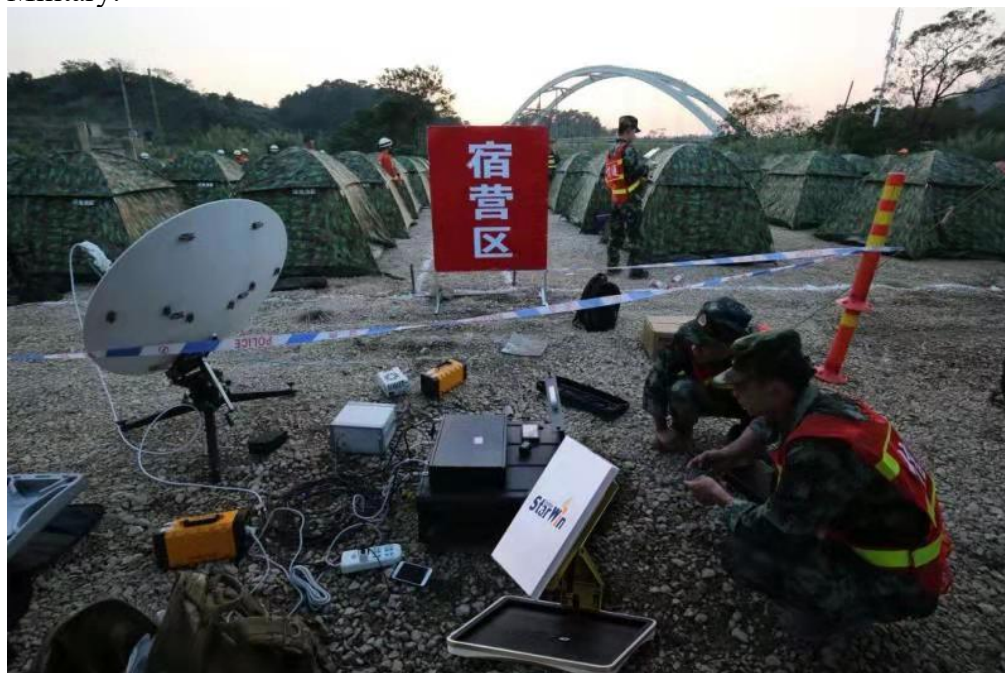
| Item | Description | L (mm) | W (mm) | H (mm) | Vol. (m ³) | N.W. (kg) | G.W. (kg) | Qty | Pkg Form |
|--------------------------|--|-----------------------------|--------|--------|-----------------------------|--------------|--------------|-----------------------------|----------------------------|
| 1 | Manual Flat Panel Portable Terminal with case Terminal Serial No. | 750 | 810 | 300 | 0.182 | 16.50 | 22.00 | 1 | Expanded Polypropylene Box |
| 2 | Backpack | 200 | 200 | 650 | 0.026 | 2.50 | 4.00 | 1 | Carton |
| TOTAL | | | | | 0.208 | 19.00 | 26.00 | 2 | |
| Total Packages: 2 | | Total Vol.: 0.208cbm | | | Total N.W.: 19.00kgs | | | Total G.W.: 26.00kgs | |

Application Case:

Emergency rescue:



Military:



Outdoor adventure



Communication:



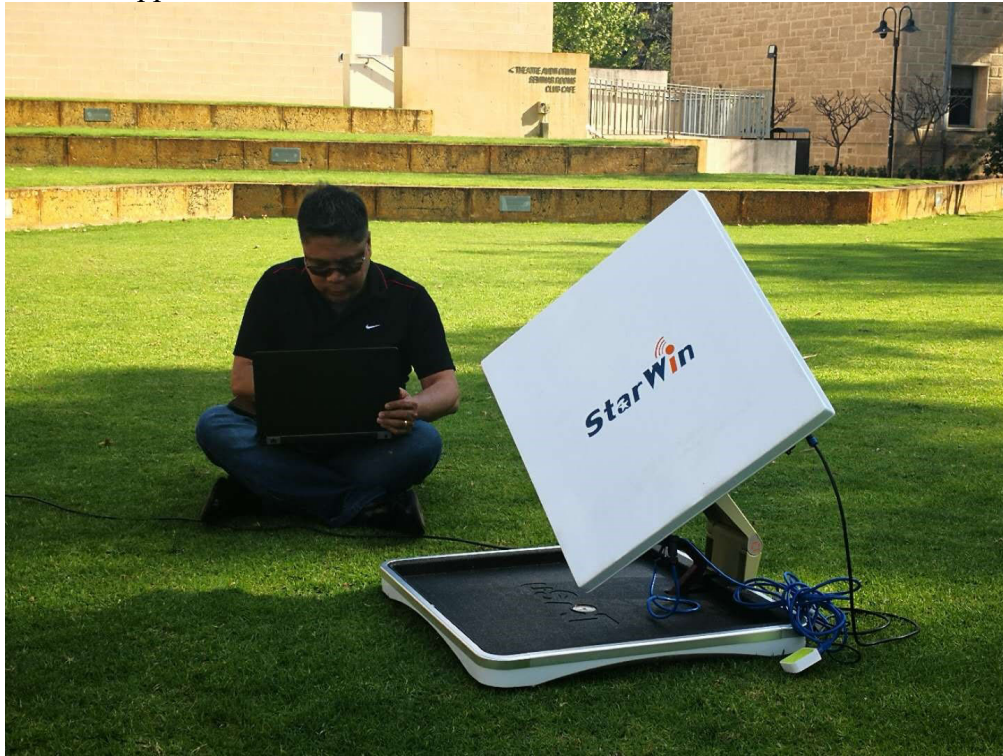
China Starwin Science & Technology Co., Ltd.

Tel: +8629-88664381, E-mail: sales@starwincom.com, <http://www.starwincom.com>

Copyright © 2019 China Starwin

2018 Version

Personal application:



China Starwin Science & Technology Co., Ltd.

Tel: +8629-88664381, E-mail: sales@starwincom.com, <http://www.starwincom.com>

Copyright © 2019 China Starwin

2018 Version